

# PMDC Brush Motor

## Endurance 20 Series Permanent-Magnet DC Brush Motors

2.0-Inch (50.8 mm), 4-pole, 1/8 HP Fixed Brushes

Allied Motion's Endurance 20 series of 2.0-inch (50 mm) diameter PMDC brush motors are a cost-effective solution for a wide variety of industrial and commercial applications like pumps and electric actuators.

With rated voltages of 12 and 24 VDC, and rated power output up to 1/8 HP, Endurance 20 models are especially suitable for battery-fed applications. They offer excellent performance, long service life, and high reliability. Custom design versions are available to exactly match customer needs.

These motors can be combined with our 28.3:1 planetary gearbox for high torque and smooth low speed operation. It is also capable of accepting a variety of encoders or brake options.

The ability to add sealing options makes this motor robust enough for the most demanding operating environments.

### Features and Benefits

- 2.0-inch (50.8 mm) diameter black housing
- Continuous power output up to 1/8 HP (0.12 kW)
- Continuous speed up to 6200 RPM
- Low cogging design
- Higher starting torque than 2-pole designs
- Aluminum die-cast end frames
- Ball bearing construction
- IP54 protection level
- Optimized brush life
- Class B (130 °C) winding
- Bonded rare-earth neodymium magnets
- 1/4-inch (6.35 mm) cold-rolled steel shaft

### Options

- Customized shaft, mounting, and/or lead configurations to exactly match application requirements
- Integrated 28.3:1 planetary gearhead
- High temperature Class H (180 °C) winding
- Stainless steel shaft
- EMI/RFI suppression circuit
- IP67 sealing (wash-down version)
- Chrome- or zinc-plated housing



- Reliable 2.0-inch dia., 4-pole PMDC brush motor and optional gear motor
- 12 or 24 VDC, up to 1/8 HP
- Up to 6200 RPM rated speed
- Up to 32 oz-in (0.226 Nm) rated torque

## SPECIFICATIONS

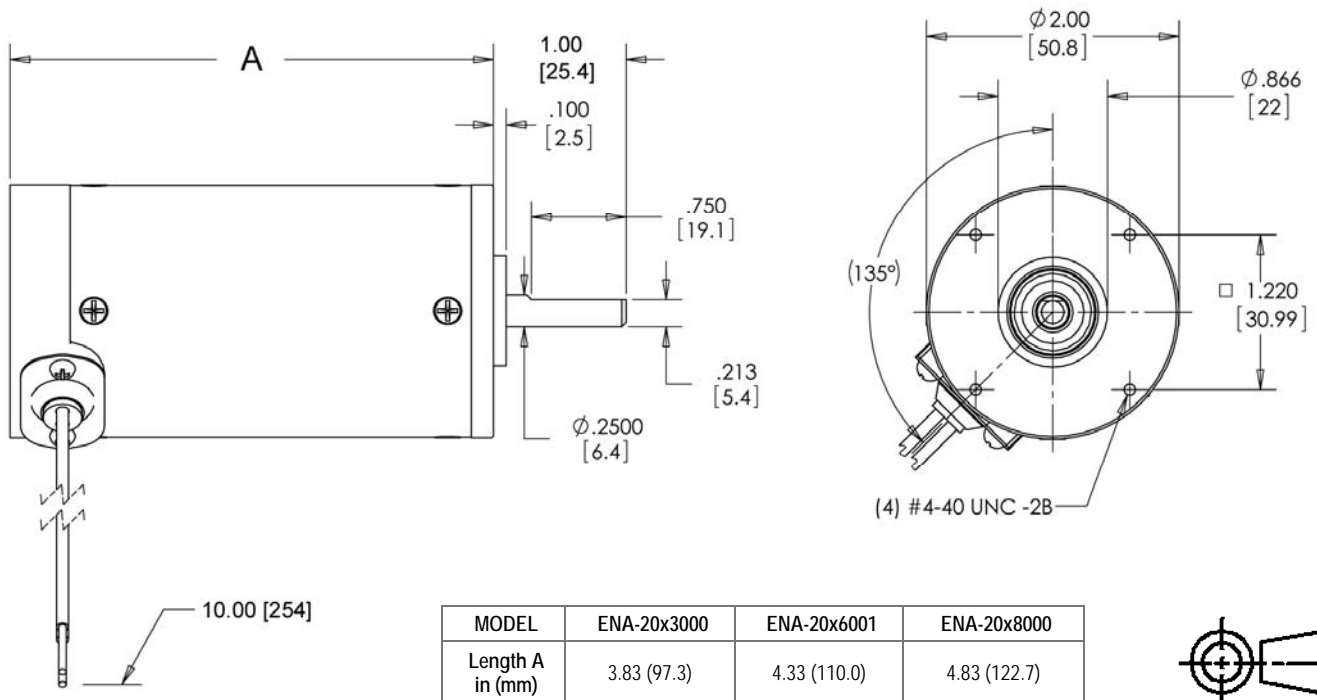
Model	Weight lb (kg)	Voltage VDC	Rated Torque oz-in (Nm)	Rated Speed RPM	No Load Speed RPM	Current ADC			Rated Power* HP (W)
						Peak	Rated	No Load	
ENA-020Q3000	1.3 (0.59)	12	16 (0.113)	5750	6850	48	8.8	2	0.09 (68)
ENA-020R3000	1.3 (0.59)	24	19 (0.134)	6200	7125	33	5.3	1	0.12 (87)
ENA-020Q6001	1.6 (0.73)	12	22 (0.155)	3750	4500	39	8.1	1	0.08 (61)
ENA-020R6001	1.6 (0.73)	24	19 (0.134)	3800	4800	18	4.3	1	0.09 (66)
ENA-020Q8000	1.9 (0.86)	12	23 (0.162)	3267	4075	31	7.4	1.5	0.07 (56)
ENA-020R8000	1.9 (0.86)	24	32 (0.226)	3387	4275	22	5.2	1	0.11 (80)

\* Motor mounted to aluminum plate 6" x 6" x 0.5" (152 x 152 x 13 mm)

# PMDC Brush Motor

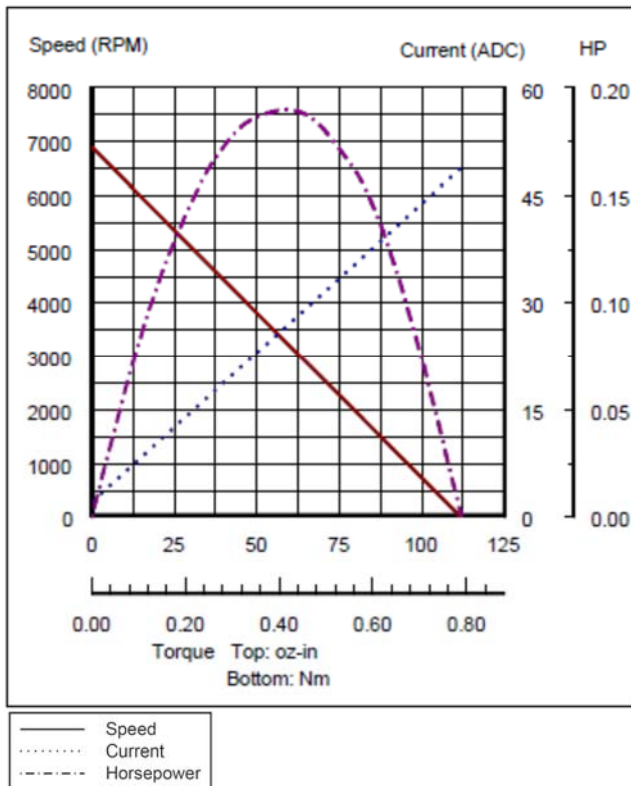
## Endurance 20 Series Permanent-Magnet DC Brush Motors

### DIMENSIONS

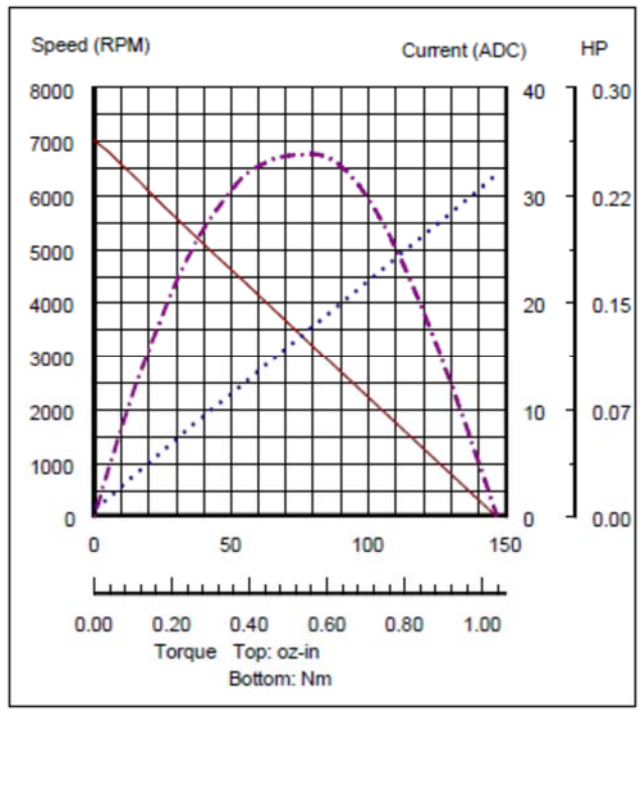


### PERFORMANCE

ENA-020Q3000



ENA-020R3000

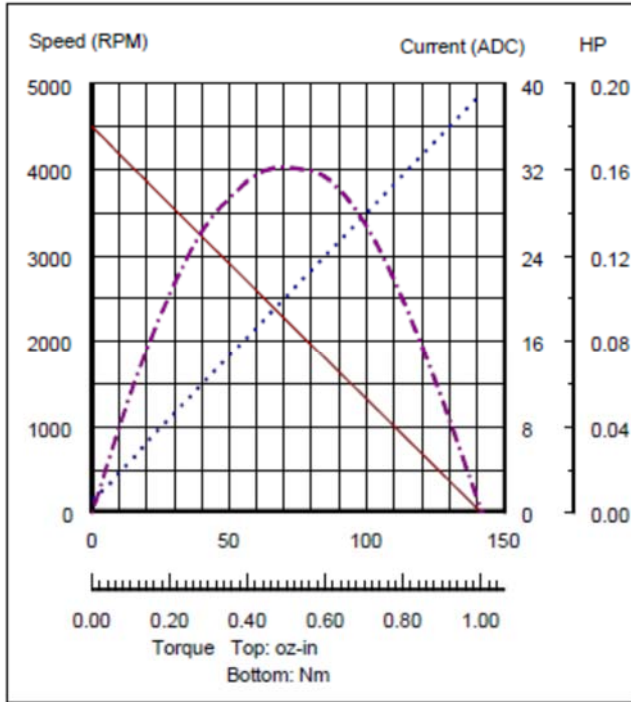


# PMDC Brush Motor

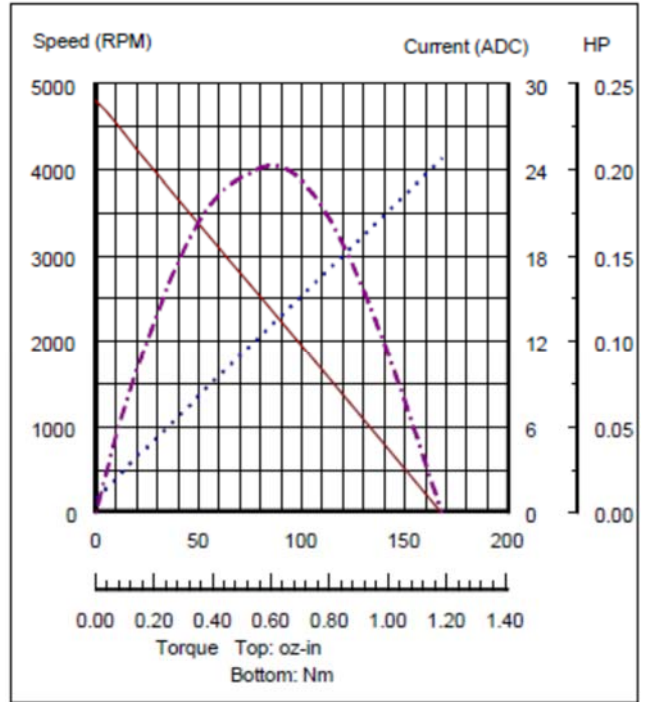
## Endurance 20 Series Permanent-Magnet DC Brush Motors

### PERFORMANCE

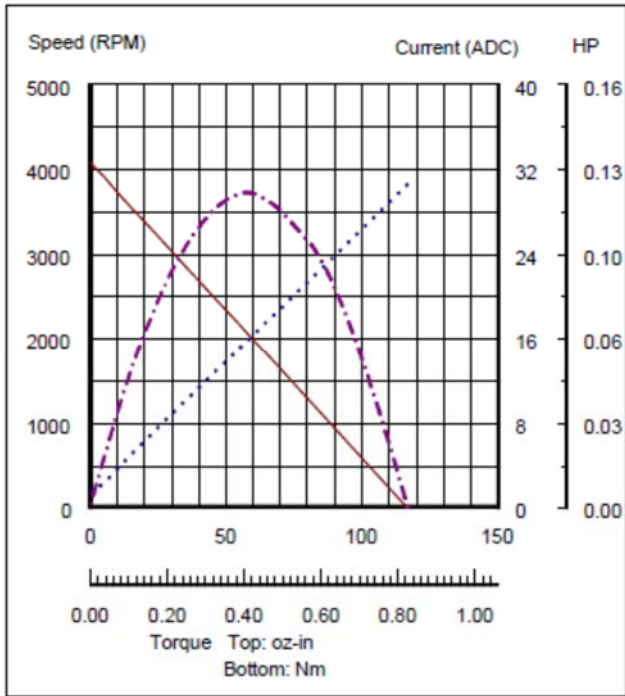
ENA-020Q6001



ENA-020R6001



ENA-020Q8000



ENA-020R8000

