

IM-21 MOTORS

DC Permanent Magnet Motors

E-2600



Dimensions

power rating: To .1 hp (74.6 W)

voltage: 12, 19.1, 24, 30.3 standard windings

weight: 26 to 46 ozs.

armature: Skewed for lower cogging torque

inertia: See table, opposite page

electrical time constant: 1.6 milliseconds max

mechanical time constant: 10 milliseconds max

typical no load torque: 2.0 oz. in.

shaft: Precision-ground and hardened stainless steel.
Options: length, flats, pinions, gears

terminals: Tab type to mate with Amp 187 series push-on receptacles, or equivalent

magnets: High energy ceramic to withstand high pulse currents without demagnetizing

bearings:

Ball: Pre-loaded to withstand higher side loads and low end play

Sleeve: Self-aligning and life lubricated to withstand a 2-lb. side load with .003" to .040" axial end play

cover: Steel housing

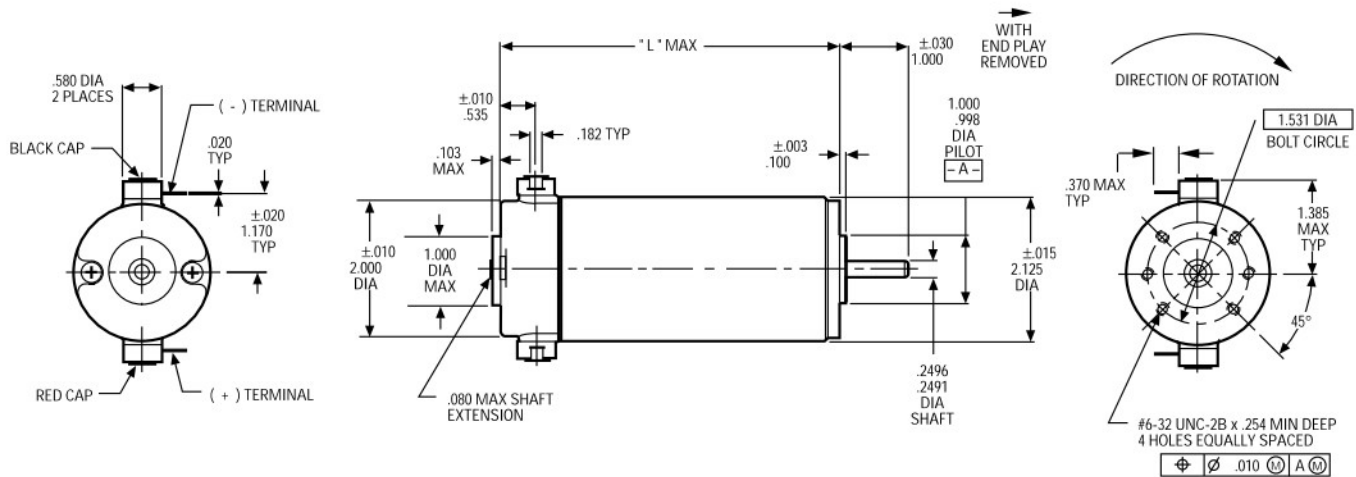
end bells: Die-cast zinc

winding insulation rating: 180°C

winding temperature rise: ***See chart, opposite page

options available:

- EMI suppression
- Optical encoders



E-2600

Standard Part Numbers and Data

VOLTAGE (VDC)	A		B		C			D		INERTIA (oz. in. sec ²) x10 ⁻³	*** TEMP. RISE (°C/watt)	STANDARD PART NUMBERS*	
	SPEED ±10% no load (rpm)	TORQUE (oz. in.) max rated	theoretical stall	max no load	max rated load	nominal stall	TORQUE CONSTANT K _t (oz. in./amp)	TERMINAL RESISTANCE R (ohms)	ball bearings			sleeve bearings	
Motor Length "L" Max. 3.203"													
12.0	4200	15	95	.63	5.4	20.7	3.82	0.58	2.0	6.0	537A131-1	537A136-1	
19.1				.41	3.5	16.5	5.88	1.16			-2	-2	
24.0				.32	2.7	12.8	7.56	1.87			-3	-3	
30.3				.26	2.4	10.3	9.45	2.95			-4	-4	
Motor Length "L" Max. 3.703"													
12.0	3700	20	140	.60	6.1	26.7	4.28	0.45	2.9	5.6	537A132-1	537A137-1	
19.1				.38	3.9	21.2	6.76	0.90			-2	-2	
24.0				.30	3.1	16.7	8.60	1.44			-3	-3	
30.3				.23	2.4	13.0	11.06	2.34			-4	-4	
Motor Length "L" Max. 4.078"													
12.0	3750	24	190	.63	7.4	34.3	4.15	0.35	3.4	4.7	537A133-1	537A138-1	
19.1				.39	4.5	27.7	6.99	0.69			-2	-2	
24.0				.32	3.7	22.6	8.54	1.06			-3	-3	
30.3				.26	2.9	17.7	10.87	1.71			-4	-4	
Motor Length "L" Max. 4.453"													
12.0	3100	30	220	.56	7.5	35.3	5.18	0.34	4.1	4.3	537A134-1	537A139-1	
19.1				.33	4.6	26.9	8.46	0.71			-2	-2	
24.0				.27	3.8	21.8	10.35	1.10			-3	-3	
30.3				.21	3.0	17.1	13.17	1.77			-4	-4	
Motor Length "L" Max. 4.953"													
12.0	3175	35	290	.47	8.8	46.2	5.15	0.26	5.0	4.0	537A135-1	537A140-1	
19.1				.38	5.7	37.5	7.90	0.51			-2	-2	
24.0				.30	4.4	28.9	10.15	0.83			-3	-3	
30.3				.23	3.4	22.6	12.97	1.34			-4	-4	

** Because of brush drop and field distortion, current and torque indicated will not always be attainable

*** Winding temperature rise measured when mounted to 8.00" x .25" aluminum plate. Multiply by 1.4 when mounted to a heat insulator.

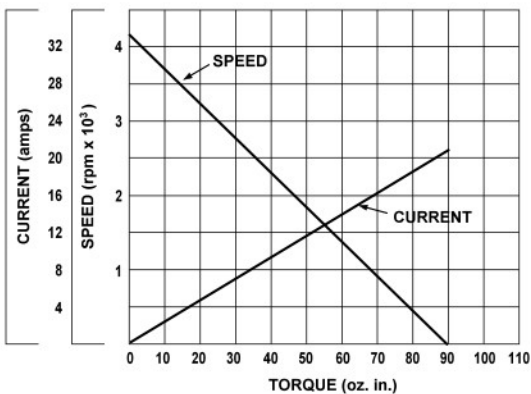
*When You Order

Units shown above are standard and may be ordered by part number. Remember to include armature winding dash number, EXAMPLE: 537A131-1

Typical Motor Performance

Part No.: 537A131-1

Voltage: 12 VDC



Part No.: 537A135-3

Voltage: 24 VDC

