

DDA Series Dual-Drive Transaxle

3/8 HP, Single-Reduction, Helical Gear, Zero Turn Radius

Allied Motion's DDA series of Dual-Drives are specifically designed to power medical mobility equipment such as wheelchairs, patient beds, and similar applications where zero turn radius maneuvering is required.

These transaxle-like units are compact and dependable and available as standard with a 3-5/8" diameter brush DC motor wound for 24 VDC. Other winding voltages from 12 up to 240 VDC are available by special order. DDA series drives are rated up to 3/8 HP (250 W) continuous output power.

In addition to medical mobility service, the DDA series are an excellent choice for utility vehicle applications, such as material handling carts, floor care equipment, AGVs, light construction, and lawn care equipment.

Features & Benefits

- Rated for vehicle weights up to 1000 lb (453 kg)
- Capable of zero turning radius for tight maneuvering
- High durability hardened steel gears
- Cast aluminum gearboxes
- Class B (130 °C) winding insulation
- Cartridge-style motor brushes for easy maintenance
- Synthetic grease lubrication for long service life
- Ball and needle bearing construction for durability
- 4-pole motor for excellent reserve ramp-climbing power
- 3/4-inch (19mm) dia. output shafts

- Electromechanical holding brake, rated at 35 lb-in (4.0 Nm), with override and controller feedback
- 20:1 gear ratio with low diametral pitch for increased gear strength

Options

- High temperature Class H (180 °C) winding insulation
- Weather-resistant (IP65) design
- Custom leads and/or connectors
- Non-brake version
- Custom output shaft configurations



- Specifically designed for medical mobility and utility vehicle applications for vehicle weights up to 1000 lb (453 kg)
- Zero turn radius capability
- 24 VDC PMDC motor with maintainable brush design
- 250 W, 1/3 HP continuous output power

SPECIFICATIONS

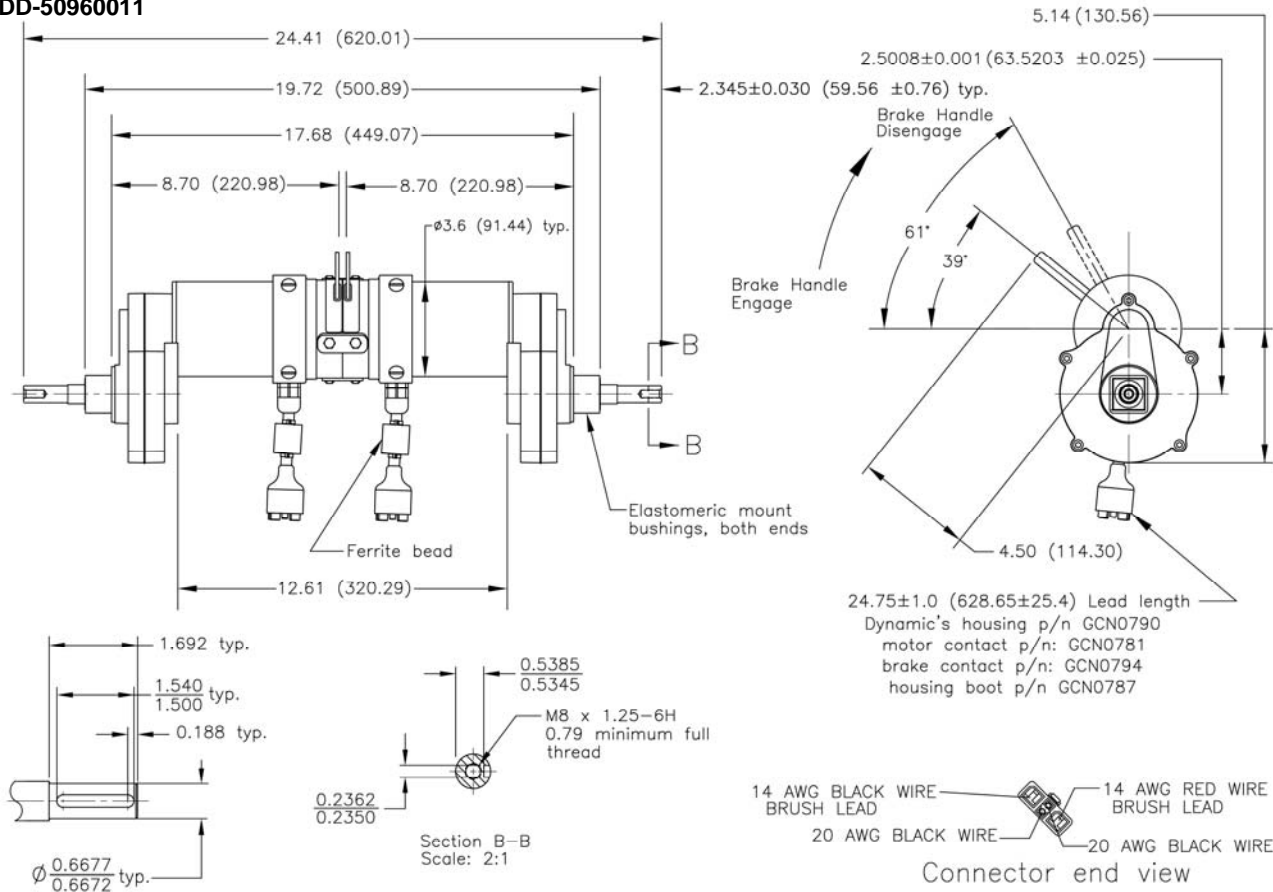
Model	Voltage (VDC)	Gear Ratio	Weight lb (kg)	Rated Torque lb-in (Nm)	Rated Speed RPM	No-load Speed RPM	Current			Rated Power HP (W)
							Pk A	Rated A	NL A	
GDD-50960011	24	20:1	40 (18)	175 (19.8)	121	140-125	98.6	18	4.44	0.33 (250)

Transaxles

DDA Series Dual-Drive

DIMENSIONS

GDD-50960011



Dimensions shown are inches (mm)

PERFORMANCE

GDD-50960011

