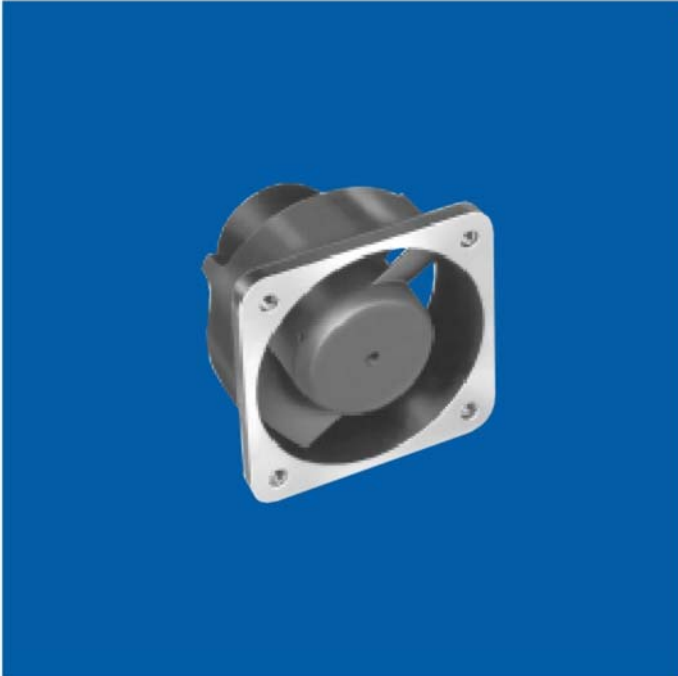


# SS, MM & LL BLOWERS

DC Tubeaxial Blowers

# C-4160



## general design specification

**airflow:** Up to 58 cfm @ free air

**voltage:** 27 VDC

**impeller:** Dynamically balanced, precision-cast aluminum

**housing:** Precision-cast aluminum

**bearings:** Double shielded, life-lubricated for -55°C to +85°C operation. Special lubricants available for temperature extremes

**cables/leads:** 8" #22 AWG min. single conductor lead wire per MIL-W-16878/4

**electrical connections:** Leads are provided for Type MM and LL, and solder terminals for Type SS

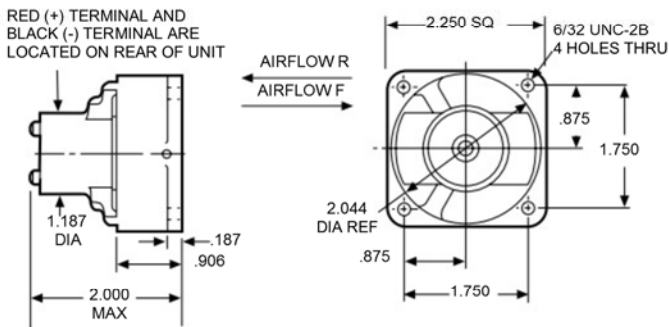
**mounting:** Standard mounting is by four tapped holes in flange

**marking:** Per MIL-STD-130

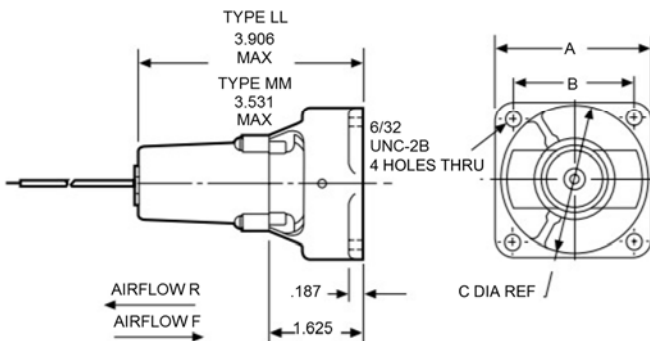
**life:** 1,000 hours minimum

## Dimensions

TYPE SS



TYPE MM & LL



TYPE	DIMENSIONS			STANDARD PART NUMBERS*	
	A (in.)	B (in.)	C (in.)	(airflow R)	(airflow F)
MM	2.250	1.750	2.125	19A514	19A523
LL	2.625	2.125	2.500	19A522	19A524

# C-4160

## Standard Part Numbers and Data

	TYPE	VOLTAGE (VDC)	SPEED min (rpm)	AIRFLOW typ @ free air (cfm)	POWER INPUT max (watts)	CURRENT FREE AIR max (amps)	WEIGHT max (oz.)	STANDARD PART NUMBERS*
AIRFLOW F	SS	27	10,000	25	5.4	.2	5.0	19A554
	MM	27	10,000	25	10.8	.4	7.8	19A523
	LL	27	11,000	58	16.2	.6	9.5	19A524
AIRFLOW R	SS	27	10,000	25	5.4	.2	5.0	19A544
	MM	27	10,000	25	10.8	.4	7.8	19A514
	LL	27	11,000	58	16.2	.6	9.5	19A522

### \*When You Order

Units shown above are standard and may be ordered by part number. Type MM and Type LL units meet radio noise requirements of MIL-1-6181 when a 16 mesh screen is placed over the mounting end. Type SS units can be modified to meet the same requirements on special order

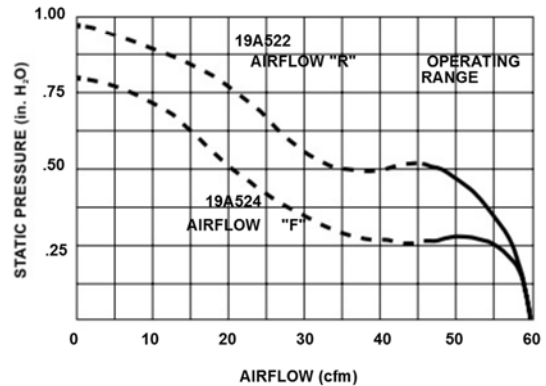
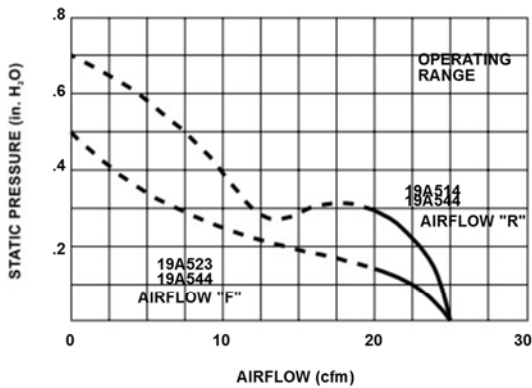
### Typical Performance

Part Nos.\*: 19A514, 19A544, 19A523, 19A554

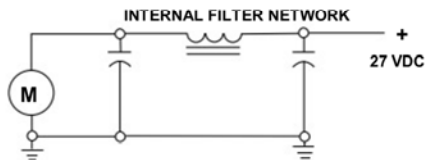
Operating Point: 20 cfm @ .30" H<sub>2</sub>O  
20 cfm @ .15" H<sub>2</sub>O

Part Nos.\*: 19A522, 19A524

Operating Point: 45 cfm @ .50" H<sub>2</sub>O  
45 cfm @ .30" H<sub>2</sub>O



### Schematic Wiring (Type MM & LL)



TO OBTAIN SPECIFIED AIRFLOW