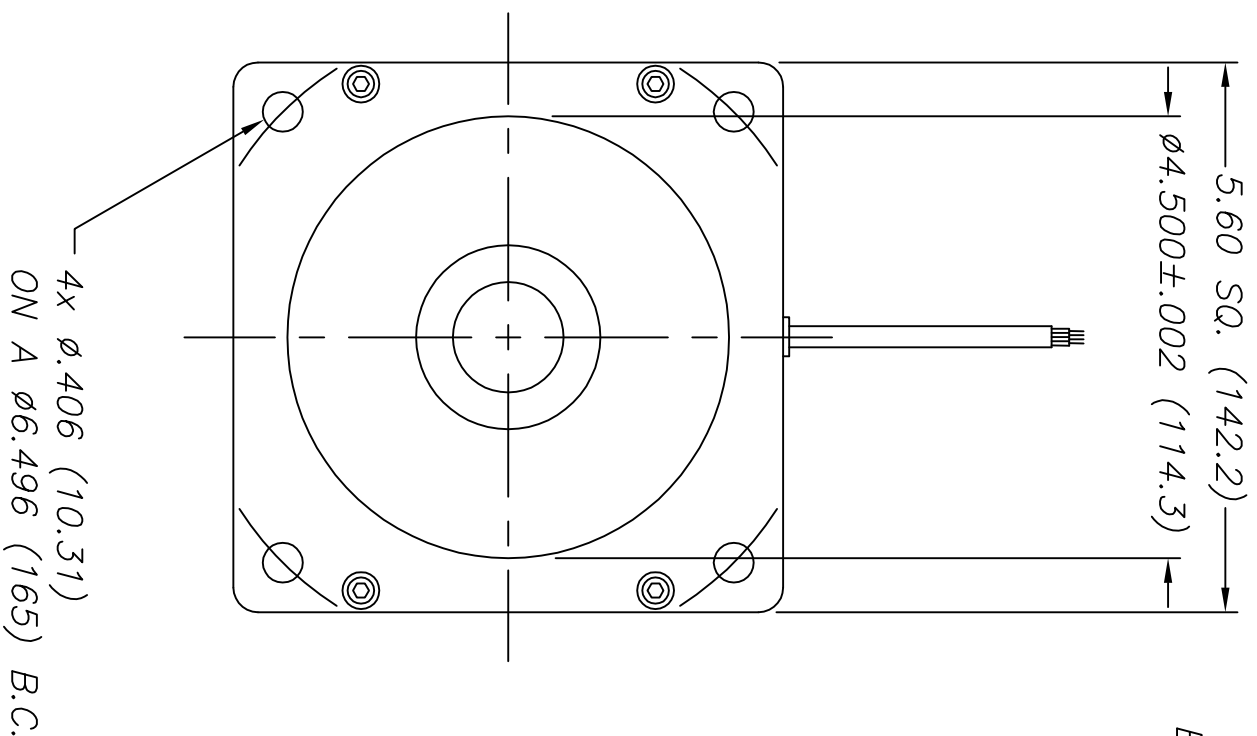
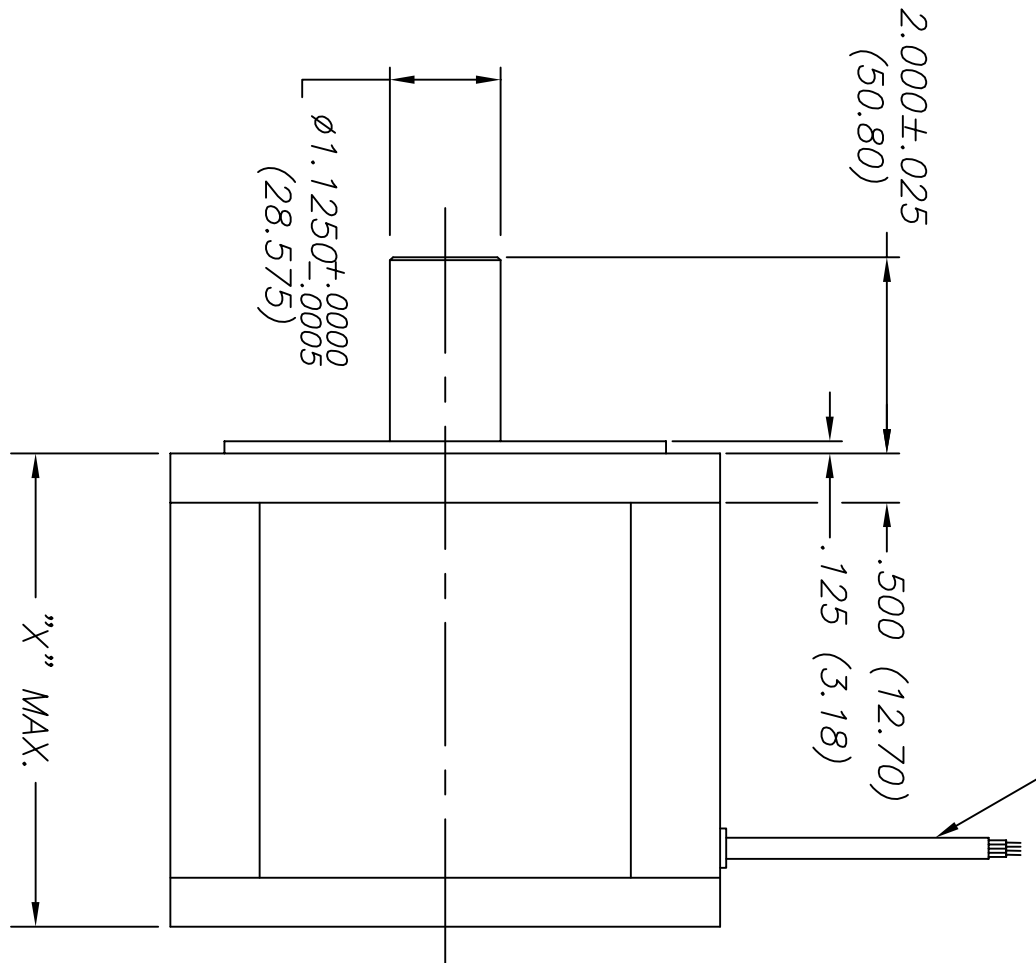


MODEL	"X" MAX.
QB05600	4.84 (123)
QB05601	5.84 (148.3)
QB05602	6.84 (173.7)
QB05603	7.84 (199)



LEAD WIRE - TEFLON COATED
 TYPE "E" PER MIL-W-16878/4
 12" (304) MINIMUM LENGTH
 A) MOTOR 14 AWG RED(A), WHT(B), BLK(C)
 B) SENSOR 24 AWG BLU(+), BRN(A), ORG(B)
 YEL(C), GRN(GRD)



DRAWING NUMBER		REVISION		REV.
QB0560XH				—
ECN	LTR	DESCRIPTION	DATE	APPROVED

UNLESS OTHERWISE SPECIFIED DIMENSIONS ARE IN INCHES TOLERANCES ON		DRAFTSMAN:	DATE:	 TULSA, OK 74146-3638, USA	
ANGLES	3 PLACE	2 PLACE	4/3/04		
±0° 30'	DEC ± .005	DEC ± .01	CHECKER:		
MATERIAL		ENGINEER:	CUSTOMER:		
DO NOT SCALE					
FINISH				DWG IDENTIFICATION NUMBER B 3HNO4	
				DRAWING NUMBER QB0560XH	
				SCALE: SHEET 1 OF 1	
				TITLE: OUTLINE DRAWING HOUSED MOTOR	