

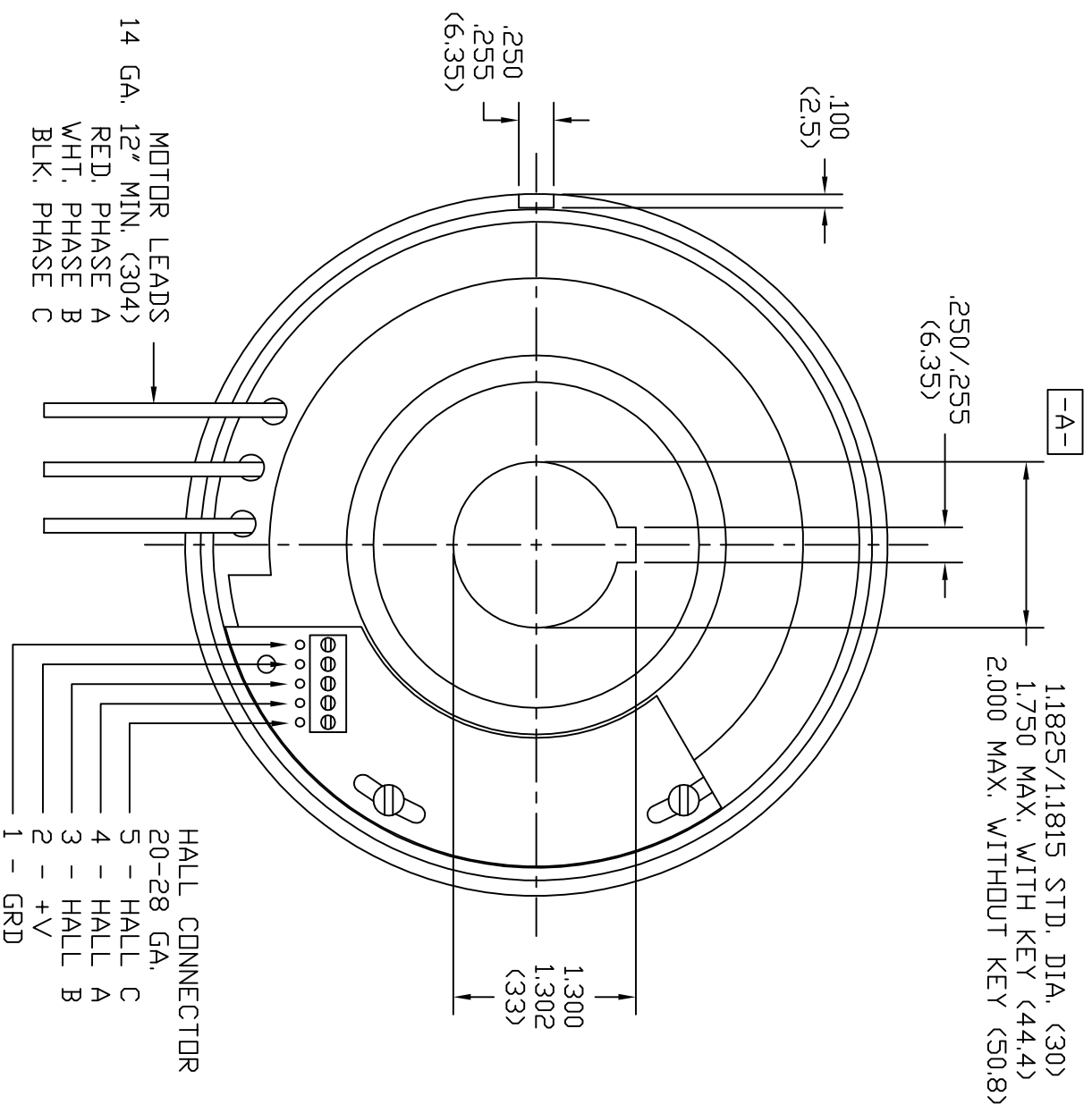
DRAWING NUMBER

QB0560X-X0X

REV. D

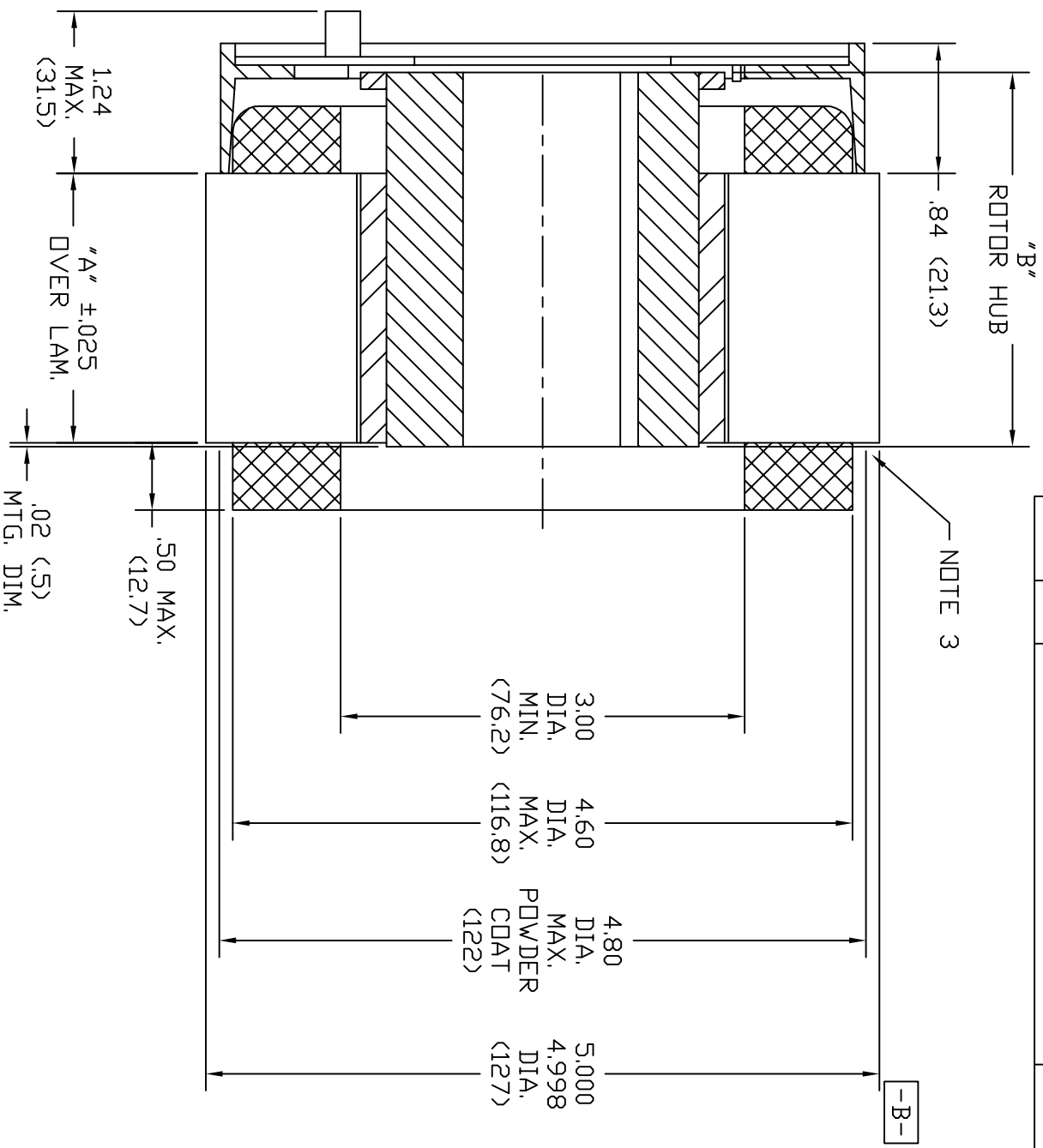
REVISION

ECN	LTR	DESCRIPTION	DATE	APPROVED
-	D	REDRAWN, REV. ROTOR LENGTH, HUB I.D.	10/22/99	BWT



MODEL	"A" STATOR	"B" ROTOR
5600	1.0 (25.4)	1.78 (45.2)
5601	2.0 (50.8)	2.81 (71.3)
5602	3.0 (76.2)	3.81 (96.7)
5603	4.0 (101.6)	4.84 (122.9)
5604	5.0 (127)	5.84 (148.3)
5605	6.0 (152.4)	6.87 (174.5)

1. MOTOR SUPPLIED AS TWO SEPARATE COMPONENTS, ROTOR ASSEMBLY AND STATOR ASSEMBLY.
2. DIAMETERS "A" AND "B" TO BE CONCENTRIC WITHIN .005 WHEN MOUNTED.
3. BETWEEN STATOR O.D. AND POWDER COAT, LAMINATIONS ARE EXPOSED FOR MOUNTING SURFACE, BOTH ENDS.



UNLESS OTHERWISE SPECIFIED DIMENSIONS ARE IN INCHES TOLERANCES ON

ANGLES 3 PLACE DEC # .005 2 PLACE DEC # .01

DRAFTSMAN: BWT DATE: 10/22/99

CHECKER:

ENGINEER:

TITLE: OUTLINE DRAWING FRAMELESS MOTOR

TULSA, OK 74146-3638, USA

ALLIED Motion

MATERIAL	DO NOT SCALE	CUSTOMER:	DWG SIZE B	CODE IDENTIFICATION NUMBER 3HNO4	DRAWING NUMBER QB0560X-X0X	SHEET 1 OF 1
----------	--------------	-----------	------------	----------------------------------	----------------------------	--------------