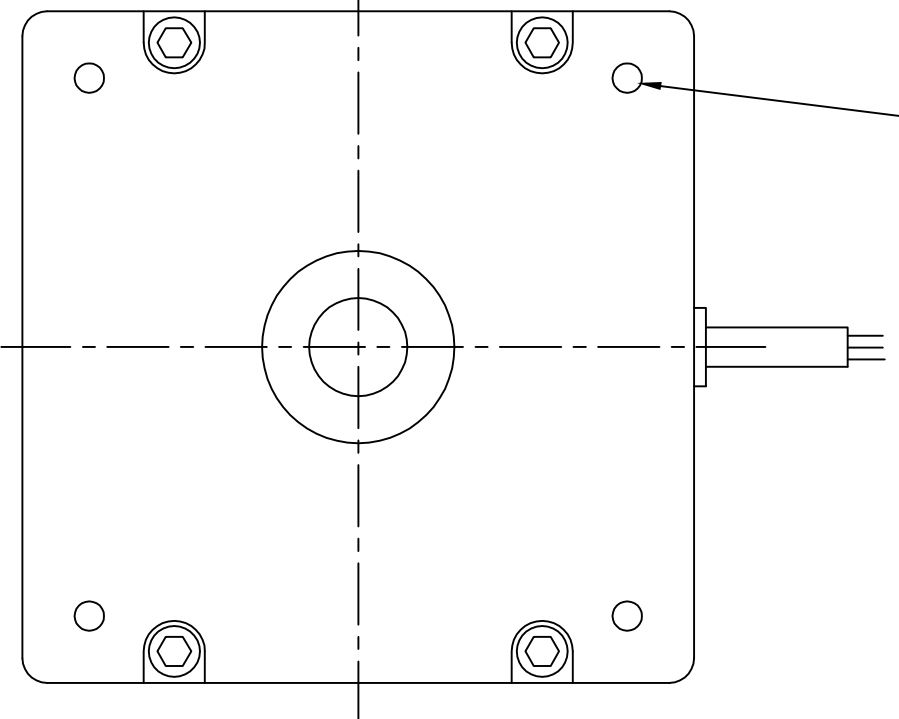
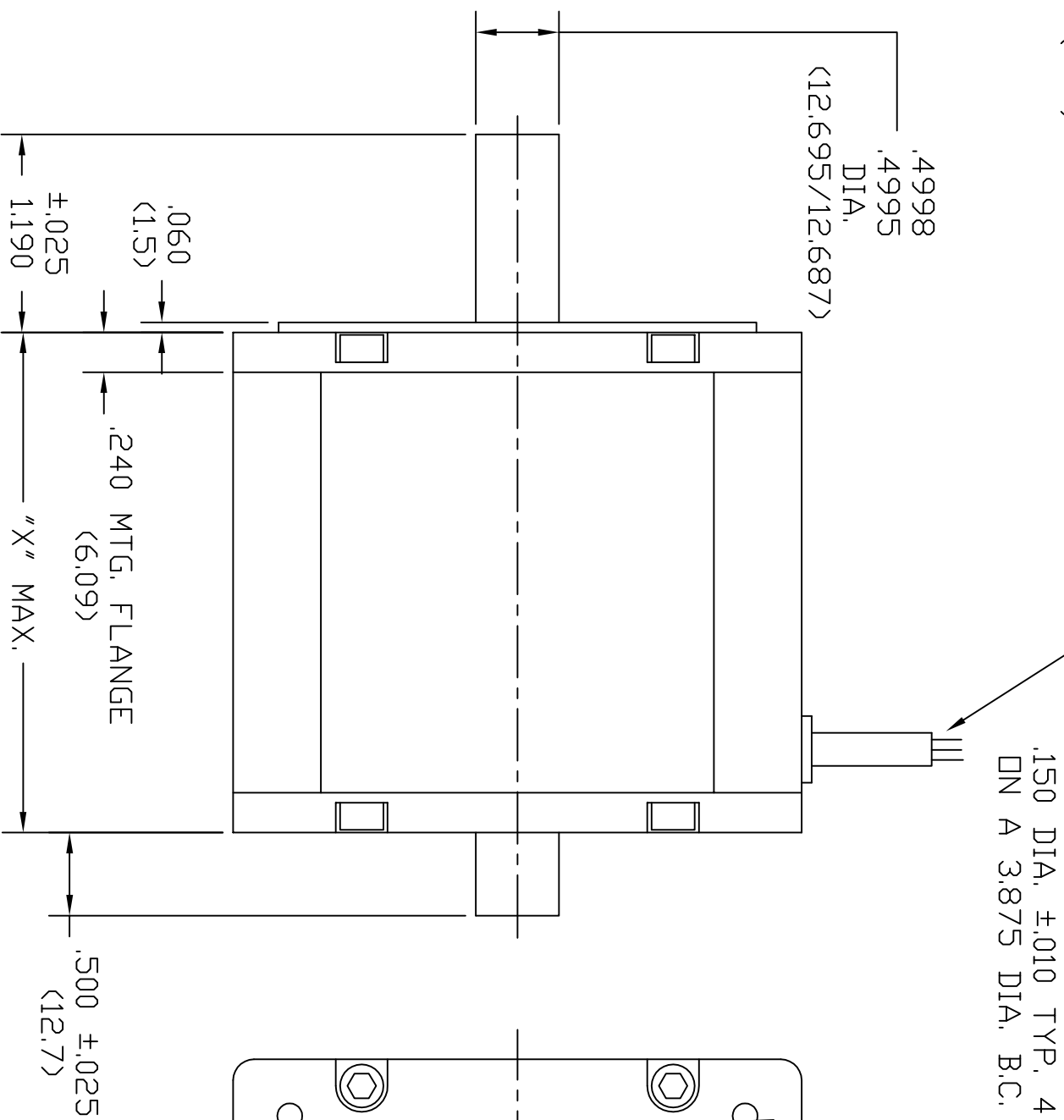
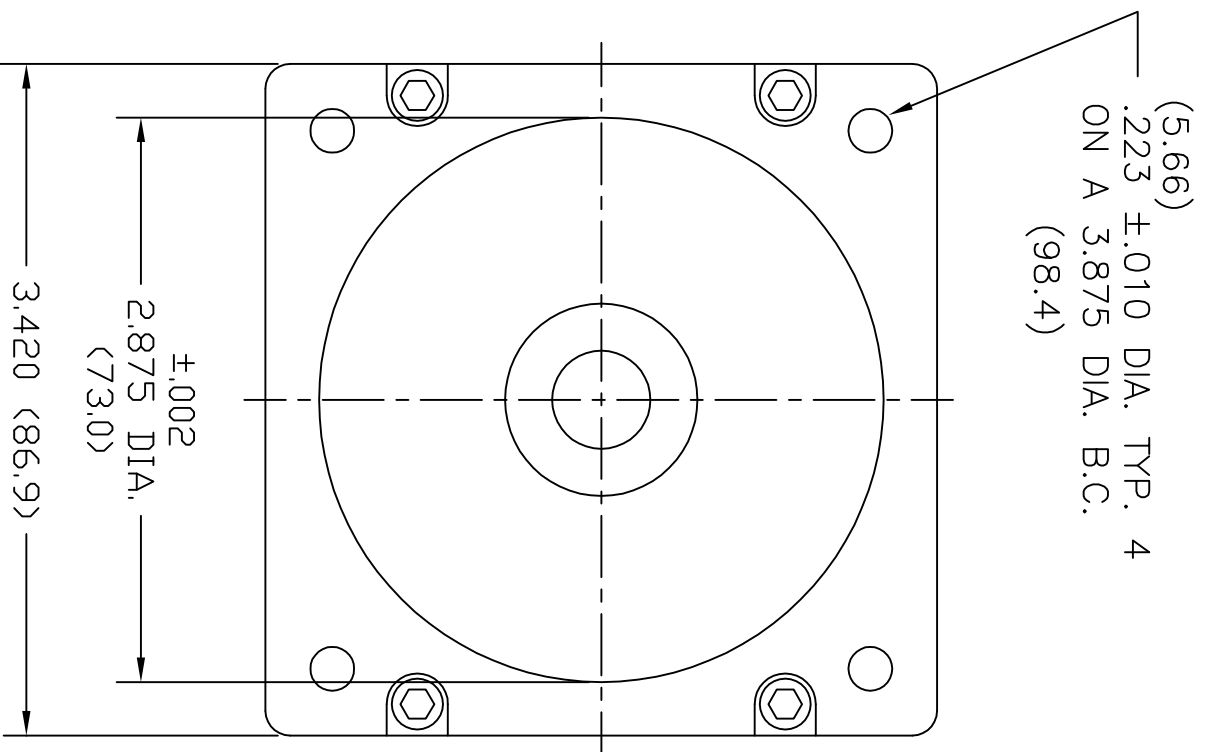


MODEL NO.	LENGTH "X"
QB03400	3.01 (76.5)
QB03401	3.76 (95.5)
QB03402	4.51 (114.6)
QB03403	5.26 (133.6)

LEADWIRE - TEFLON COATED
 TYPE "E" PER MIL-W-16878/4
 12" MINIMUM LENGTH (304)
 A) MOTOR: 16 AWG. RED(A),WHT(B),BLK(C)
 B) SENSOR: 28 AWG. BLU(+),BRN(A), ORG(B)
 YEL(C),GRN(GRD)

REVISION		DATE	APPROVED
ECN	LTR	DESCRIPTION	
A		REV. DESIGN	BWT



UNLESS OTHERWISE SPECIFIED
 DIMENSIONS ARE IN INCHES
 TOLERANCES ON
 ANGLES 3 PLACE 2 PLACE
 ±0° 30' DEC ± .005 DEC ± .01
 MATERIAL DO NOT SCALE

DRAFTSMAN: **BWT** DATE: **4/3/04**
 CHECKER:
 ENGINEER:

TULSA, OK 74146-3638, USA
Allied Motion

TITLE:
**OUTLINE DRAWING
 HOUSED MOTOR**

FINISH	CUSTOMER:	DWG SIZE	CODE IDENTIFICATION NUMBER	DRAWING NUMBER	SHEET
		B	3HNO4	QB0340XH	1 OF 1