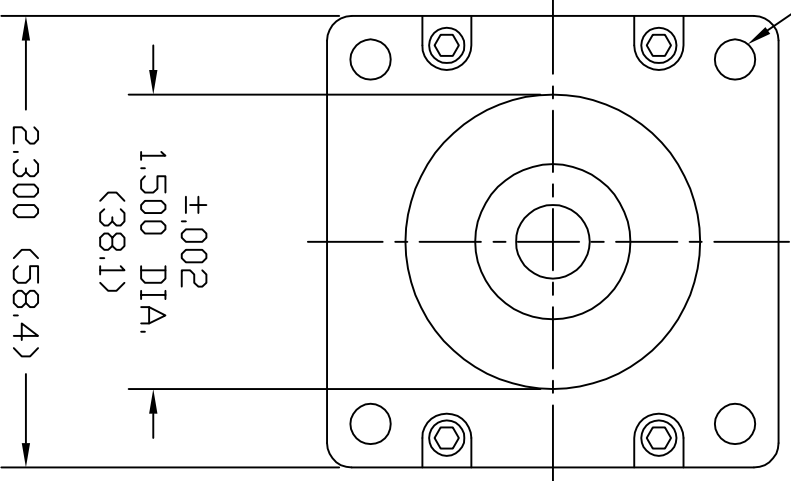
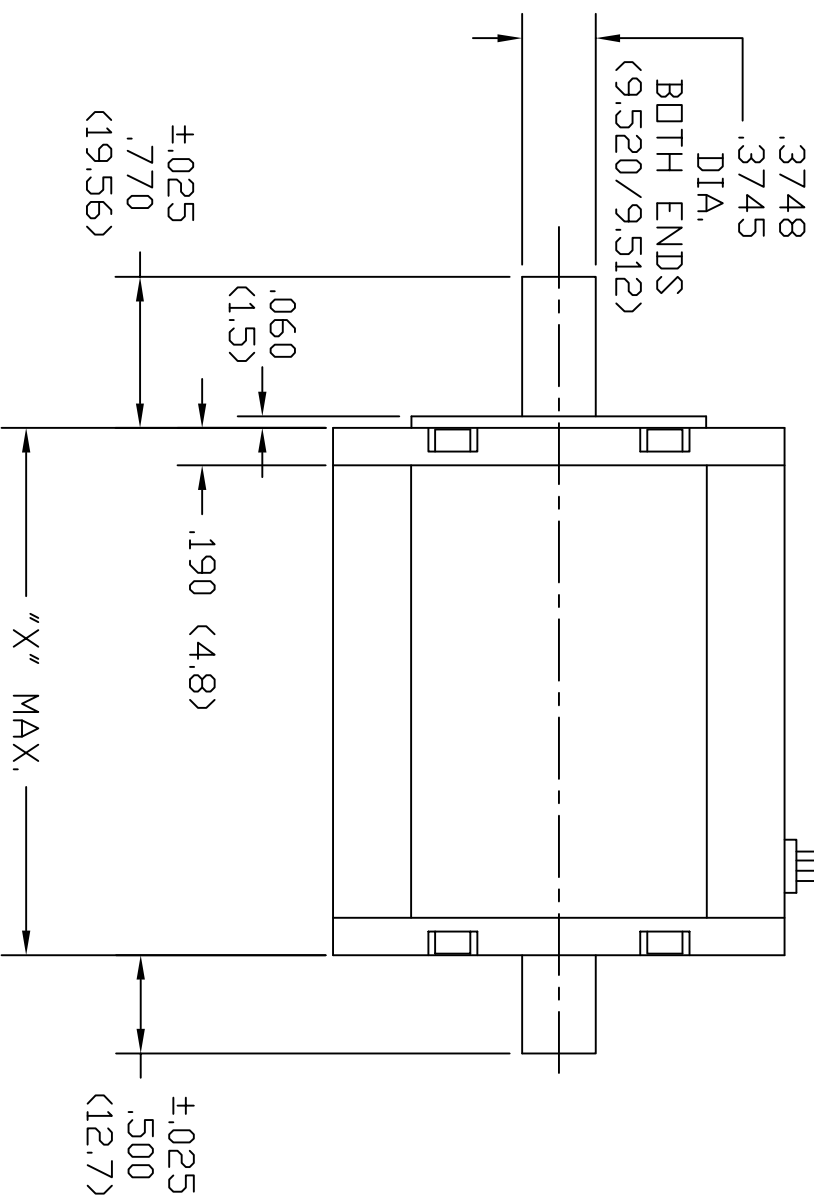


MODEL NO.	"X"
QB02300	2.800 (71.12)
QB02301	3.550 (90.17)
QB02302	4.300 (109.22)
QB02303	5.050 (128.27)

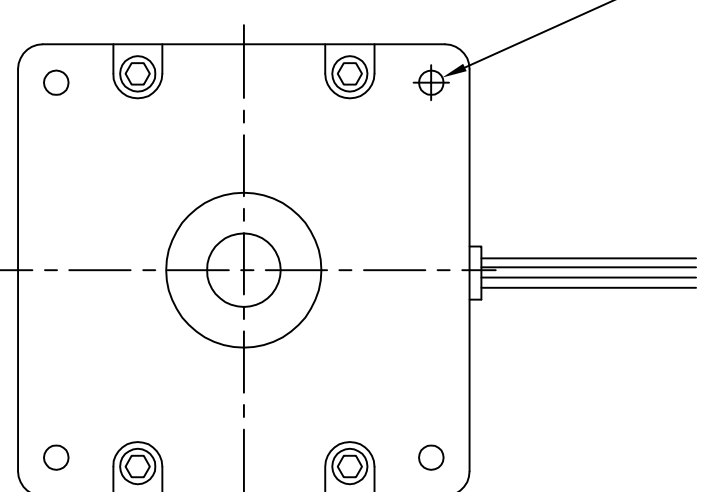
(5.2)  
.205 DIA, ±.010 TYP, 4  
DN A 2.625 DIA, B.C.  
(66.6)



LEADWIRE - TEFLON COATED  
TYPE "E" PER MIL-W-16878/4  
12" MINIMUM LENGTH (304)  
A) MOTOR: 20 AWG, RED(A), WHI(B), BLK(C)  
B) SENSOR: 28 AWG, BLU(+), BRN(A), DRG(B)  
YEL(C), GRN(GRD)



.125 DIA, ±.010 TYP, 4  
DN A 2.70 DIA, B.C.



DRAWING NUMBER		REVISION		REV.
QB0230XH				B
ECN	LTR	DESCRIPTION	DATE	APPROVED
-	B	REV. DESIGN	4/3/04	BWT

UNLESS OTHERWISE SPECIFIED  
DIMENSIONS ARE IN INCHES  
TOLERANCES ON

ANGLES	3 PLACE	2 PLACE
±0° 30'	DEC ± .005	DEC ± .01

DO NOT SCALE

DRAFTSMAN: *BWT* DATE: 4/3/04  
CHECKER:  
ENGINEER:

**Allied Motion**  
TULSA, OK 74146-3638, USA

TITLE:  
OUTLINE DRAWING  
HOUSED MOTOR

FINISH	CUSTOMER:	DWG SIZE	CODE IDENTIFICATION NUMBER	DRAWING NUMBER	SHEET
		B	3HNO4	QB0230XH	1 OF 1