

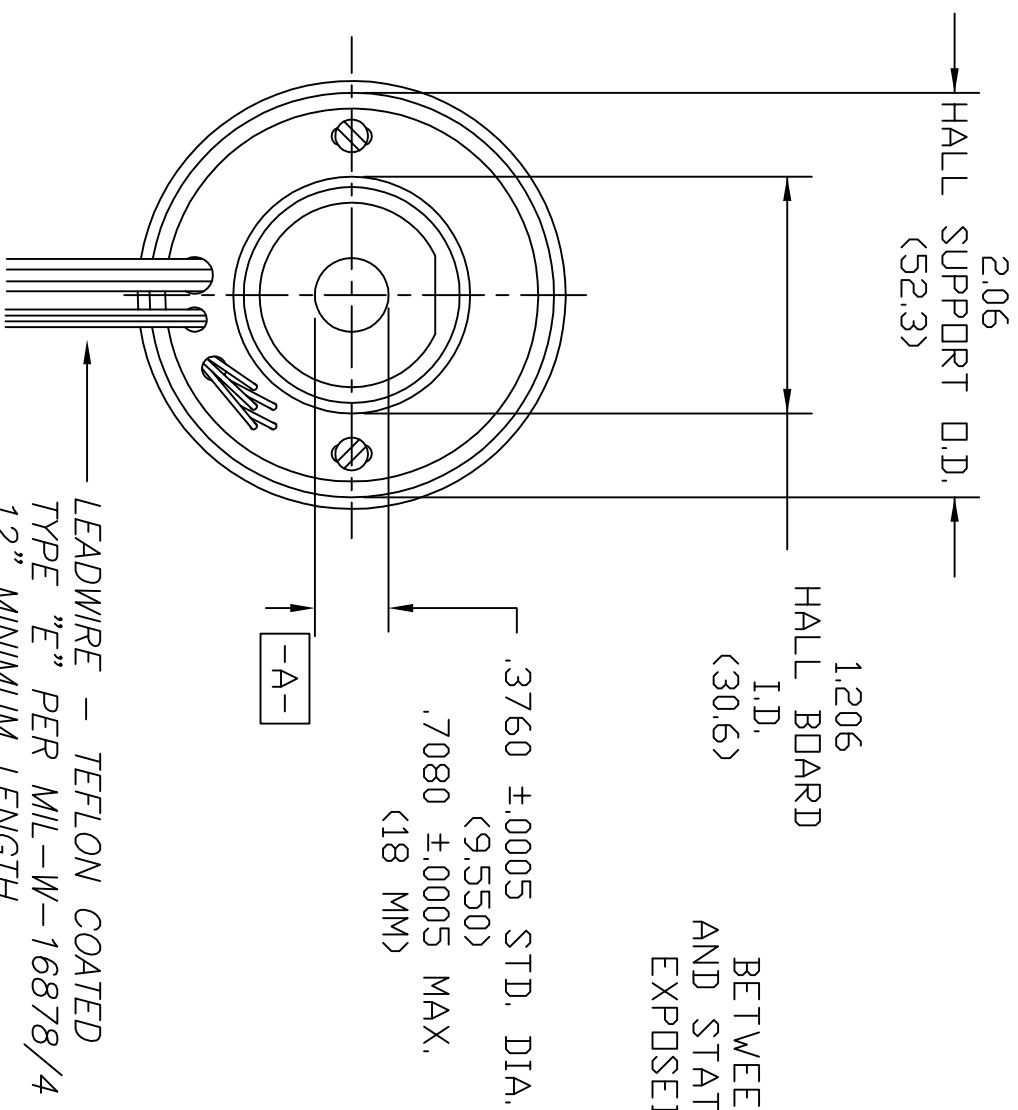
DRAWING NUMBER

QB0230X-X0X

REV. **D**

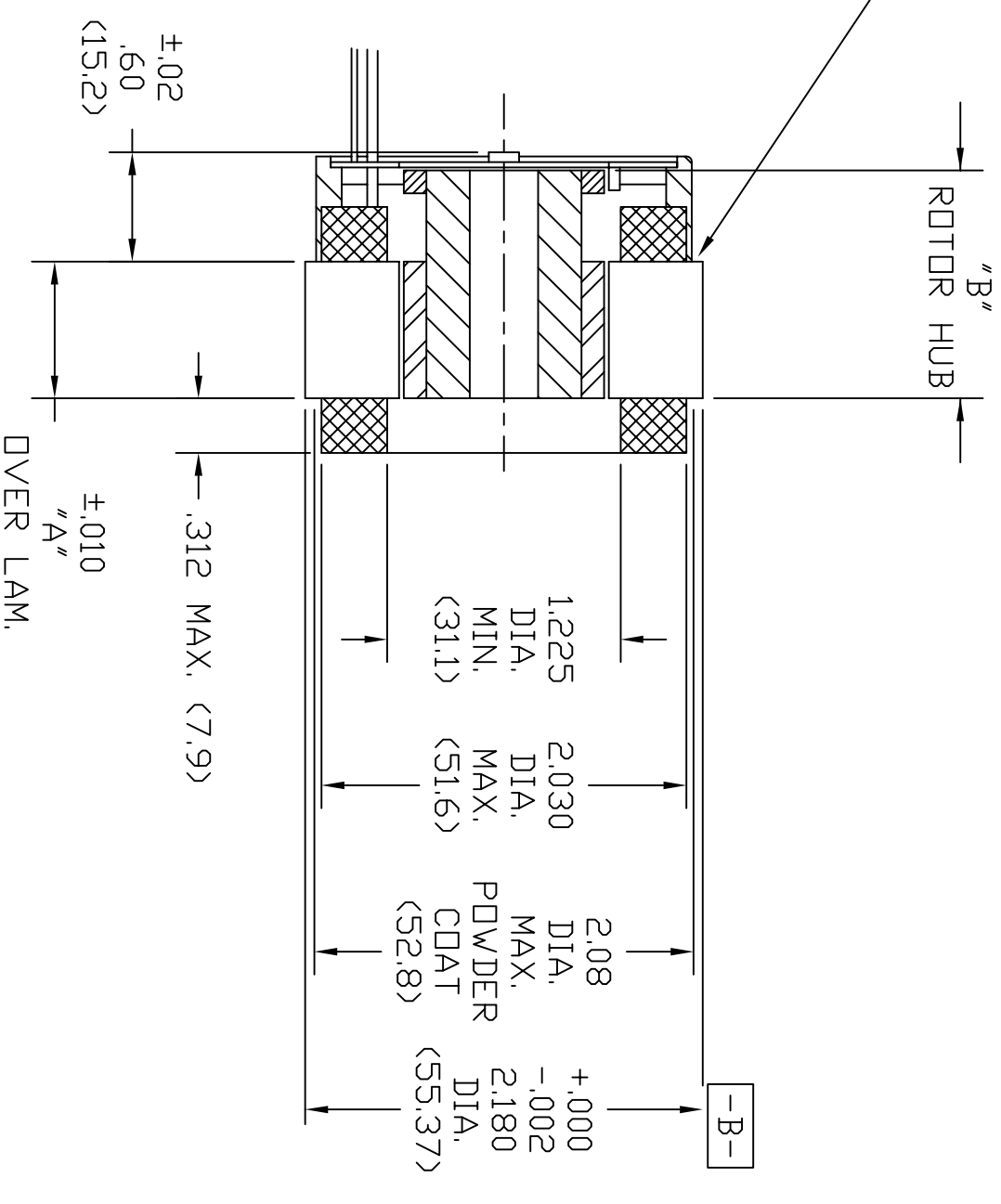
REVISION

ECN	LTR	DESCRIPTION	DATE	APPROVED
-	D	REV. DESIGN	4/3/04	BWT



MODEL NO.	"A" STATOR	"B" ROTOR
QB02300	.750 (19.05)	1.250 (31.75)
QB02301	1.500 (38.10)	2.000 (50.80)
QB02302	2.250 (57.15)	2.750 (69.85)
QB02303	3.000 (76.2)	3.500 (88.90)

1. MOTOR SUPPLIED AS TWO SEPARATE COMPONENTS, ROTOR ASSEMBLY AND STATOR ASSEMBLY.
2. DIAMETERS "A" AND "B" TO BE CONCENTRIC WITHIN .002 WHEN MOUNTED
3. STD. HUB LENGTH IS 1.250" LG. .750" HUBS ARE PROVIDED FOR CUSTOMER STACKING BEYOND 1.250".



UNLESS OTHERWISE SPECIFIED
DIMENSIONS ARE IN INCHES
TOLERANCES ON

ANGLES 3 PLACE 2 PLACE
±0° 30' DEC ± .005 DEC ± .01

MATERIAL DO NOT SCALE

DRAFTSMAN:
BWT

DATE:
4/3/04

CHECKER:

ENGINEER:

TULSA, OK 74146-3638, USA

OUTLINE DRAWING
FRAMELESS MOTOR

Allied Motion

FINISH

CUSTOMER:

DWG IDENTIFICATION NUMBER
B 3HNO4

DRAWING NUMBER
QB0230X-X0X

SCALE: SHEET 1 OF 1