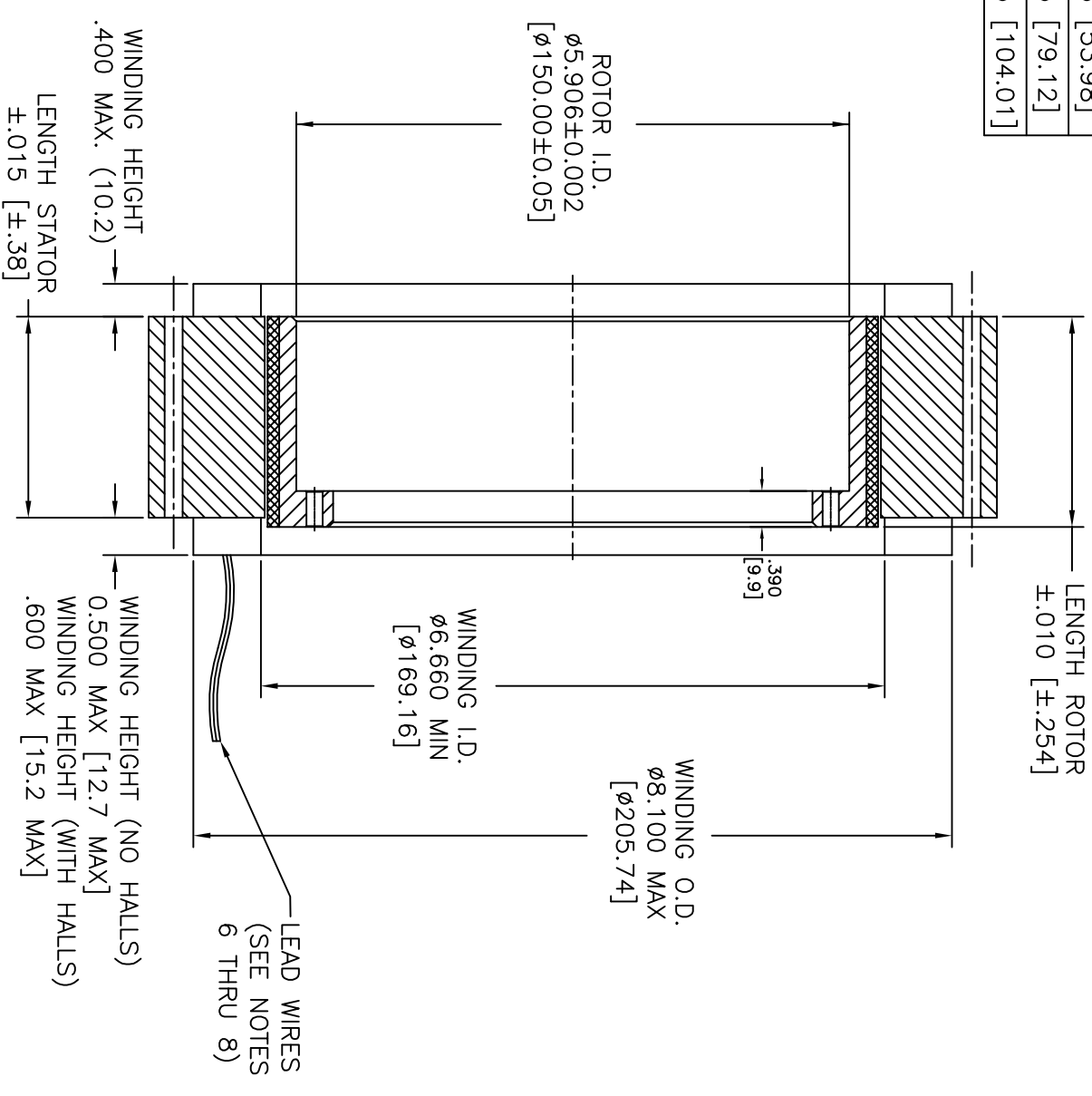
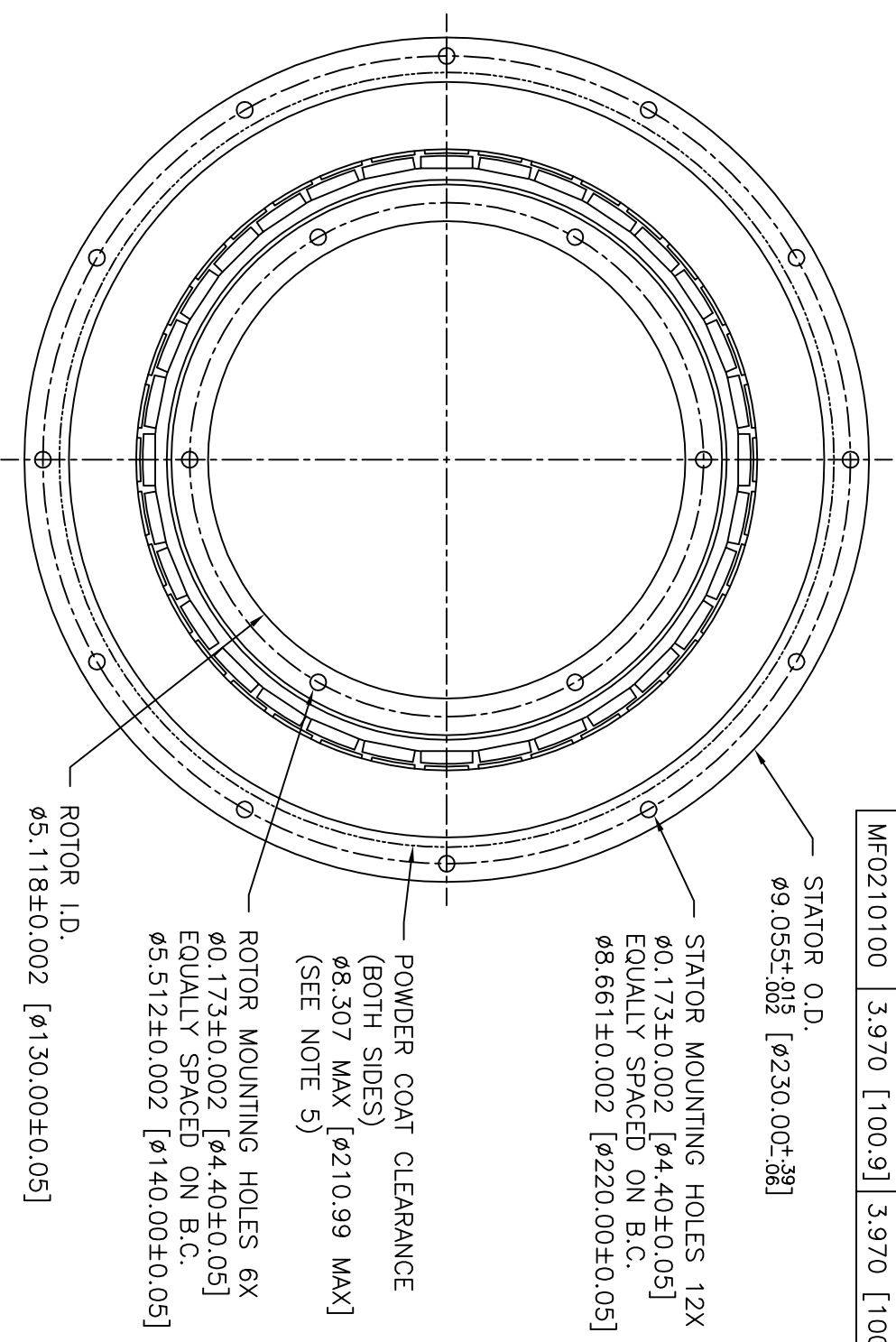


REVISION		DATE	APPROVED
ECN	LTR	DESCRIPTION	

MODEL	LENGTH STATOR	LENGTH ROTOR NO HALLS	LENGTH ROTOR WITH HALLS
MFO210010	0.390 [9.9]	0.390 [9.9]	0.515 [13.08]
MFO210025	1.020 [25.9]	1.020 [25.9]	1.145 [29.08]
MFO210050	2.000 [50.9]	2.000 [50.9]	2.125 [53.98]
MFO210075	2.990 [75.9]	2.990 [75.9]	3.115 [79.12]
MFO210100	3.970 [100.9]	3.970 [100.9]	4.095 [104.01]



GENERAL NOTES:

1. MOTOR SUPPLIED AS TWO SEPARATE COMPONENTS, ROTOR ASSEMBLY AND STATOR ASSEMBLY, CAUTION MUST BE TAKEN IN HANDLING. STRONG MAGNETIC FIELDS ARE PRESENT.
2. ALL MOTORS MANUFACTURED BY EMOTEQ CORP. ARE OF THE HIGHEST QUALITY AND WORKMANSHIP, ONLY QUALIFIED INSTALLATION TECHNICIANS SHOULD INSTALL AND TEST THIS MOTOR.
3. EMOTEQ CORP. PROVIDES GENERAL STORAGE, HANDLING AND INSTALLATION DOCUMENTATION WITH ALL FRAMELESS MOTORS SHIPPED. FOR UNIQUE MOTOR INSTALLATION REQUIREMENTS CONTACT YOUR EMOTEQ SALES REPRESENTATIVE.
4. TO INSURE PROPER INSTALLATION, ALL MOTOR MOUNTING BOLT PATTERNS SHOULD BE CONCENTRIC WITHIN 0.005" [0.01] AND SHOULD BE CHECKED PRIOR TO INITIAL TESTING AND OPERATION.
5. CUSTOMER MOUNTING FLANGE FACE I.D. TO BE $\phi 8.347$ [212.01] MIN.
6. LEAD WIRE – TEFLON COATED PER MIL-W-16878 12" [304.8] MIN LENGTH
7. MOTOR 10 AWG RED (A), WHITE (B) AND BLACK (C)
8. SENSOR 22 AWG BLUE (+), BROWN (A), ORANGE (B), (YELLOW (C) AND GREEN (GRD)

UNLESS OTHERWISE SPECIFIED DIMENSIONS ARE IN INCHES TOLERANCES ON		DRAFTSMAN:	DATE:	TULSA, OK 74146-3638, USA	
ANGLES	3 PLACE	2 PLACE		Allied Motion	
$\pm 0^\circ 30'$	DEC $\pm .005$	DEC $\pm .01$	2/22/00	OUTLINE DRAWING	
DO NOT SCALE			CHECKER:	FRAMELESS MOTOR	
MATERIAL			ENGINEER:	TITLE:	
FINISH			CUSTOMER:	DWG CODE	
				IDENTIFICATION NUMBER	
				3HNO4	
				DRAWING NUMBER	
				MFO210 SERIES	
				SCALE:	
				SHEET 1 OF 1	