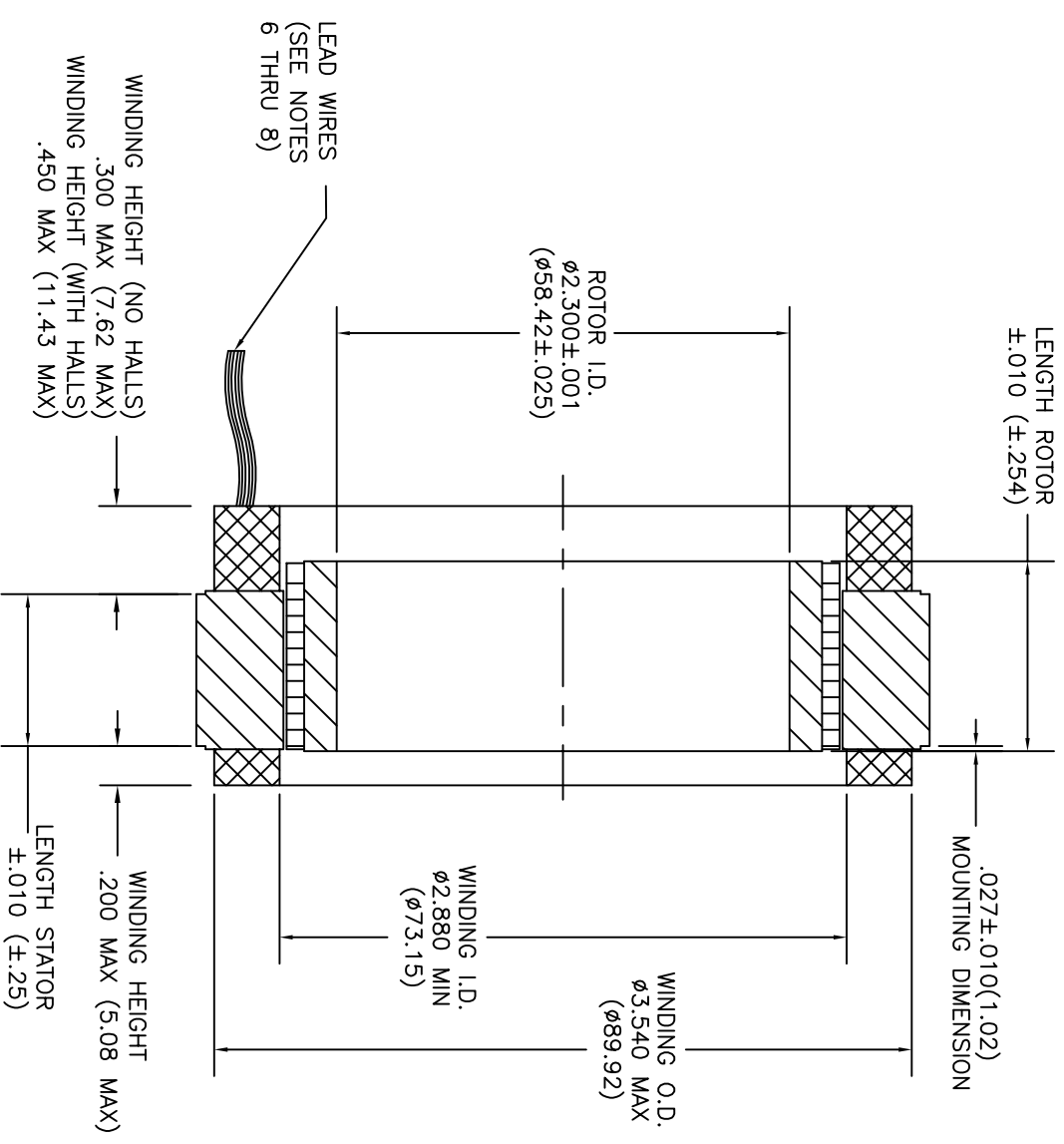
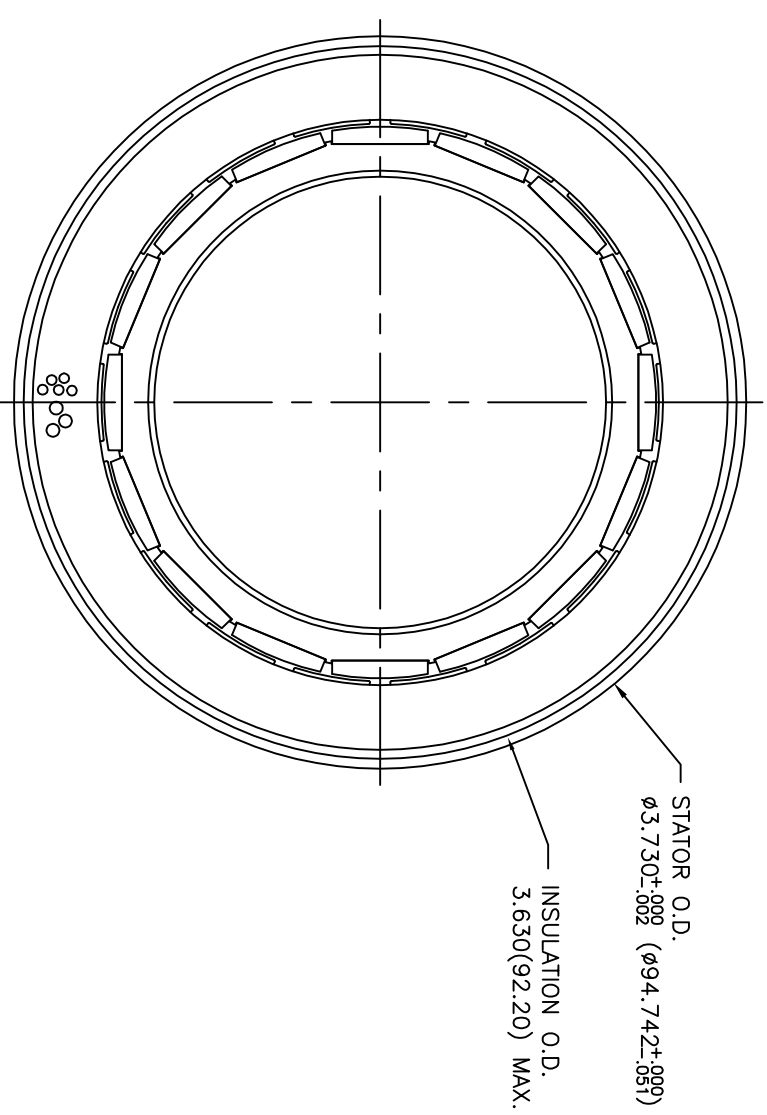



REVISION

ECN	LTR	DESCRIPTION	DATE	APPROVED

MODEL	LENGTH STATOR	LENGTH ROTOR
MF0095008	.300 (7.62)	.500 (12.7)
MF0095020	.775 (19.7)	.970 (24.6)
MF0095032	1.250 (31.8)	1.440 (36.6)
MF0095044	1.700 (43.2)	1.910 (48.5)
MF0095056	2.175 (55.2)	2.380 (60.5)

GENERAL NOTES:

- MOTOR SUPPLIED AS TWO SEPARATE COMPONENTS, ROTOR ASSEMBLY AND STATOR ASSEMBLY, CAUTION MUST BE TAKEN IN HANDLING. STRONG MAGNETIC FIELDS ARE PRESENT.
- TO INSURE PROPER INSTALLATION, ALL MOTOR MOUNTING DIAMETERS SHOULD BE CONCENTRIC WITHIN 0.005" [0.01] AND SHOULD BE CHECKED PRIOR TO INITIAL TESTING AND OPERATION.
- CUSTOMER MOUNTING FLANGE FACE I.D. TO BE ø3.640 (92.46) MIN.
- LEAD WIRE – TEFLON COATED PER MIL-W-16878 12" (304.8) MIN LENGTH
- MOTOR 16 AWG RED (A), WHITE (B) AND BLACK (C)
- SENSOR 28 AWG BLUE (+), BROWN (A), ORANGE (B), (YELLOW (C) AND GREEN (GRD)

UNLESS OTHERWISE SPECIFIED DIMENSIONS ARE IN INCHES TOLERANCES ON		DRAFTSMAN:	DATE:	 TULSA, OK 74146-3638, USA OUTLINE DRAWING FRAMELESS MOTOR	
ANGLES	3 PLACE	2 PLACE	2/27/04		
±0° 30'	DEC ± .005	DEC ± .01	CHECKER:		
MATERIAL DO NOT SCALE			ENGINEER:		
FINISH		CUSTOMER:	DWG CODE IDENTIFICATION NUMBER 3HNO4		DRAWING NUMBER MF0095 SERIES
SCALE:		SCALE:		SHEET	1 OF 1