

DRAWING NUMBER

HT050 SERIES

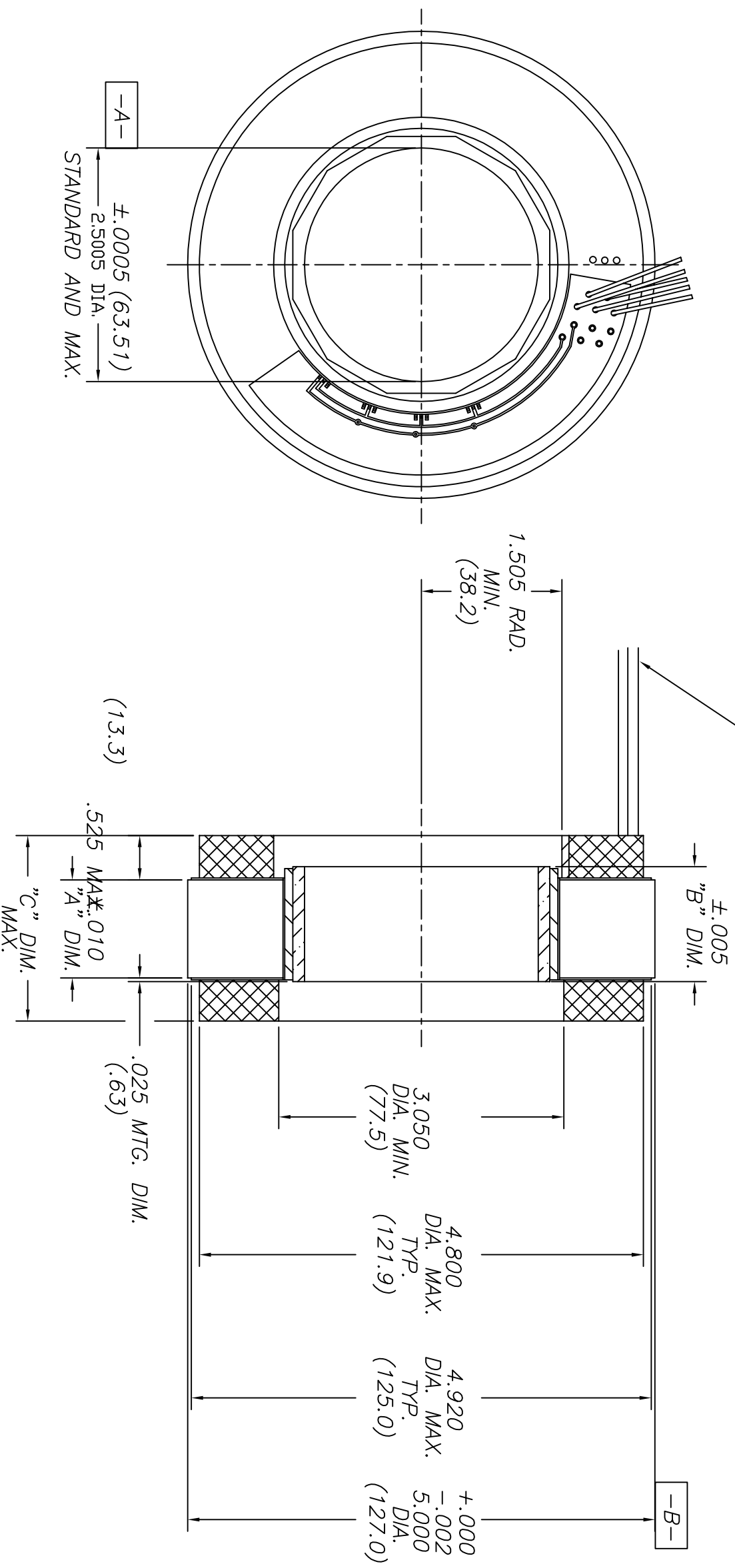
REV.

—

REVISION

ECN	LTR	DESCRIPTION	DATE	APPROVED
---	B	REVISE AND REDRAW	6/97	BWT

MODEL	"A" DIM.	"B" DIM.	"C" DIM.
HT05000	.250(6.4)	.430(10.9)	1.187(30.2)
HT05001	.650(16.6)	.830(21.1)	1.587(40.3)
HT05002	1.050(26.7)	1.230(31.3)	1.987(50.5)
HT05003	1.450(36.9)	1.630(41.4)	2.387(60.6)
HT05004	1.850(47.0)	2.030(51.6)	2.787(70.8)
HT05005	2.250(57.2)	2.430(61.8)	3.187(80.9)



1. MOTOR SUPPLIED AS TWO SEPARATE COMPONENTS, ROTOR ASSEMBLY AND STATOR ASSEMBLY.
2. DIAMETERS "A" AND "B" TO BE CONCENTRIC WITHIN .002 WHEN MOUNTED.
3. MOUNTING SURFACE BETWEEN 5.000 AND 4.920 DIAMETERS ON BOTH SIDES.

UNLESS OTHERWISE SPECIFIED DIMENSIONS ARE IN INCHES TOLERANCES ON		DRAFTSMAN:	DATE:	 TULSA, OK 74146-3638, USA OUTLINE DRAWING FRAMELESS MOTOR	
ANGLES	3 PLACE	2 PLACE	06/97		
±0° 30'	DEC ± .005	DEC ± .01	CHECKER:		
MATERIAL DO NOT SCALE			ENGINEER:		
FINISH		CUSTOMER:	DWG SIZE		DRAWING NUMBER
			B		HT050 SERIES
			3HINO4		
			SCALE:		SHEET 1 of 1