

DRAWING NUMBER

HTO30 SERIES

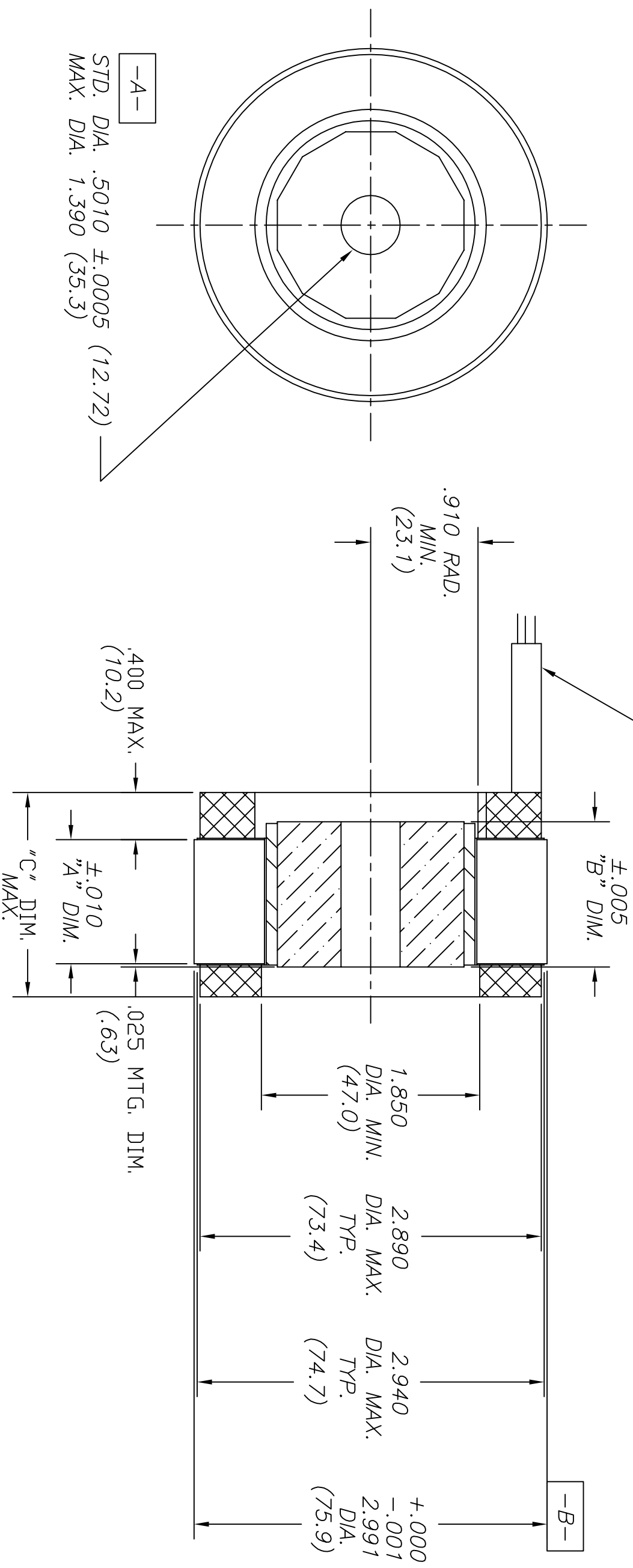
REV. —

## REVISION

ECN	LTR	DESCRIPTION	DATE	APPROVED
---	B	REVISE AND REDRAW	6/97	BWT

MODEL	"A" DIM.	"B" DIM.	"C" DIM.
HTO3000	.250(6.4)	.430(10.9)	.931(23.6)
HTO3001	.650(16.6)	.830(21.1)	1.331(33.8)
HTO3002	1.050(26.7)	1.230(31.3)	1.731(44.0)
HTO3003	1.450(36.9)	1.630(41.4)	2.131(54.1)
HTO3004	1.850(47.0)	2.030(51.6)	2.531(64.3)
HTO3005	2.250(57.2)	2.430(61.8)	2.931(74.4)

LEADWIRE - TEFLON COATED  
TYPE "E" PER MIL-W-16878/4  
12" MINIMUM LENGTH  
A) MOTOR: # 18 AWG. RED(A), WHT(B), BLK(C).  
B) SENSOR: #28 AWG. BLU(+), BRN(A), ORG(B),  
YEL(C), GRN(GRD)



1. MOTOR SUPPLIED AS TWO SEPARATE COMPONENTS, ROTOR ASSEMBLY AND STATOR ASSEMBLY.
2. DIAMETERS "A" AND "B" TO BE CONCENTRIC WITHIN .002 WHEN MOUNTED.
3. MOUNTING SURFACE BETWEEN 2.991 AND 2.940 DIAMETERS ON BOTH SIDES.

UNLESS OTHERWISE SPECIFIED DIMENSIONS ARE IN INCHES TOLERANCES ON

ANGLES 3 PLACE DEC ± .005 DEC ± .01

MATERIAL DO NOT SCALE

DRAFTSMAN:  
BWTDATE:  
06/97

CHECKER:

ENGINEER:

CUSTOMER:

TULSA, OK 74146-3638, USA

TITLE:  
OUTLINE DRAWING  
FRAMELESS MOTOR

DWG IDENTIFICATION NUMBER  
B 3HNO4

DRAWING NUMBER  
HTO30 SERIES

SCALE: SHEET 1 OF 1