

DRAWING NUMBER

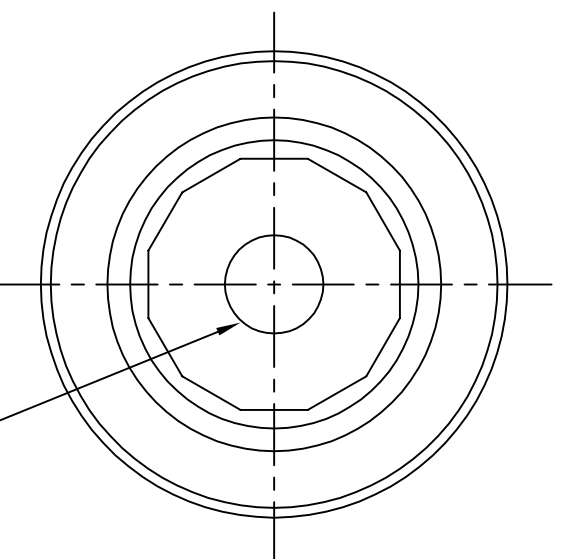
HTO23 SERIES

REV. B

REVISION

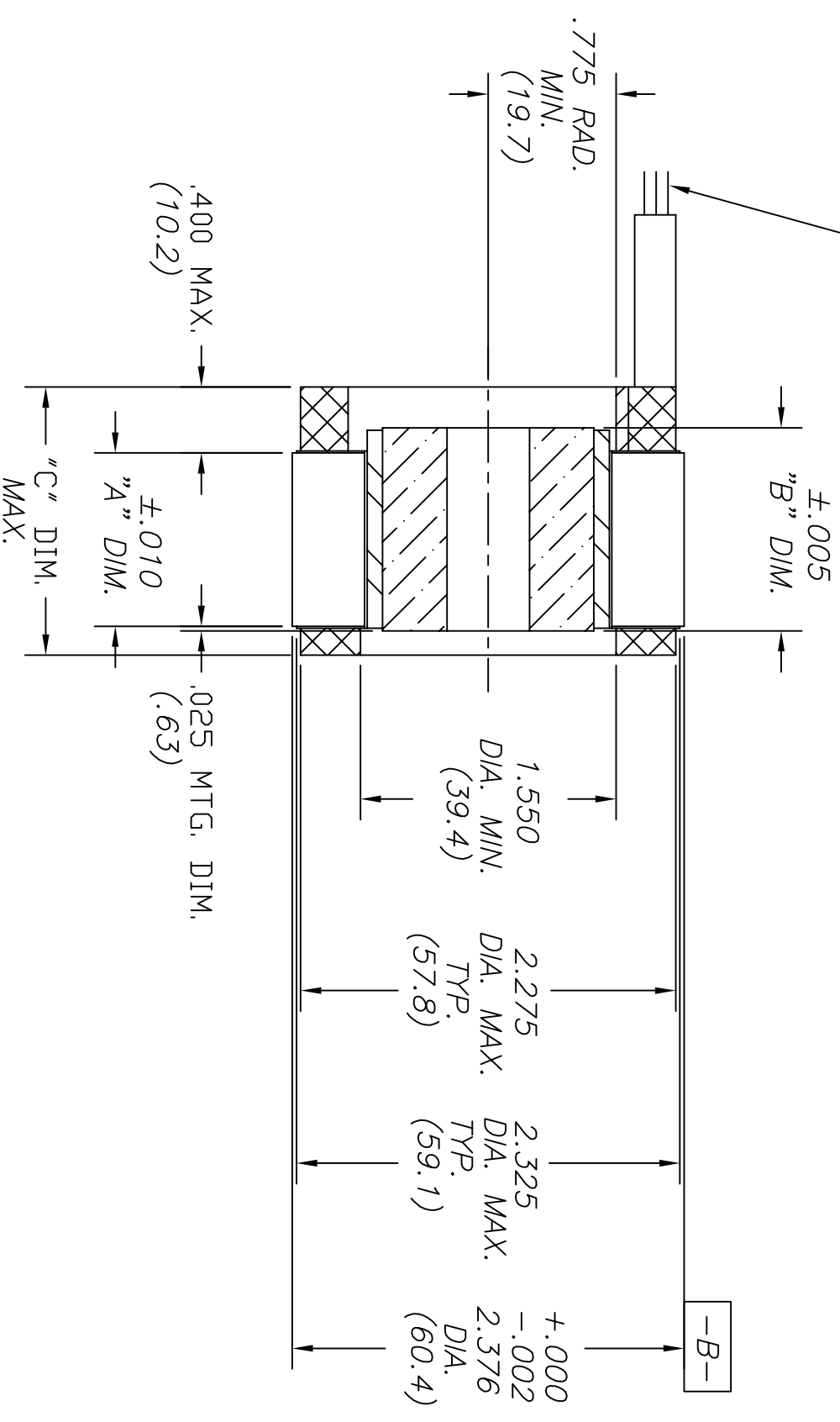
ECN	LTR	DESCRIPTION	DATE	APPROVED
---	B	REVISE AND REDRAW	6/97	BWT

MODEL	"A" DIM.	"B" DIM.	"C" DIM.
HTO2300	.250 (6.4)	.430 (10.9)	.824 (20.9)
HTO2301	.650 (16.6)	.830 (21.1)	1.224 (31.1)
HTO2302	1.050 (26.7)	1.230 (31.3)	1.624 (41.3)
HTO2303	1.450 (36.9)	1.630 (41.4)	2.024 (51.4)
HTO2304	1.850 (47.0)	2.030 (51.6)	2.424 (61.6)
HTO2305	2.250 (57.2)	2.430 (61.8)	2.824 (71.7)



—A—
 STD. DIA. .5010 \pm .0005 (12.7)
 MAX. DIA. 1.140 (28.95)

LEADWIRE - TEFLON COATED
 TYPE "E" PER MIL-W-16878/4
 12" MINIMUM LENGTH
 A) MOTOR: # 20 AWG. RED(A), WHT(B), BLK(C).
 B) SENSOR: #28 AWG. BLU(+), BRN(A), ORG(B),
 YEL(C), GRN(GRD)



1. MOTOR SUPPLIED AS TWO SEPARATE COMPONENTS, ROTOR ASSEMBLY AND STATOR ASSEMBLY.
2. DIAMETERS —A— AND —B— TO BE CONCENTRIC WITHIN .002 WHEN MOUNTED.
3. MOUNTING SURFACE BETWEEN 2.376 AND 2.325 DIAMETERS ON BOTH SIDES.

UNLESS OTHERWISE SPECIFIED
 DIMENSIONS ARE IN INCHES
 TOLERANCES ON

ANGLES 3 PLACE DEC \pm .005 2 PLACE
 \pm 0' 30' DEC \pm .005 DEC \pm .01

MATERIAL DO NOT SCALE

FINISH

DRAFTSMAN:

BWT

DATE:

6/97

CHECKER:

ENGINEER:

TITLE:

Allied Motion
 TULSA, OK 74146-3638, USA
 OUTLINE DRAWING
 FRAMELESS MOTOR

DWG CODE IDENTIFICATION NUMBER
B 3HNO4
 DRAWING NUMBER
 HTO23 SERIES

SCALE:

SHEET 1 OF 1