

DRAWING NUMBER

HT015 SERIES

REV.

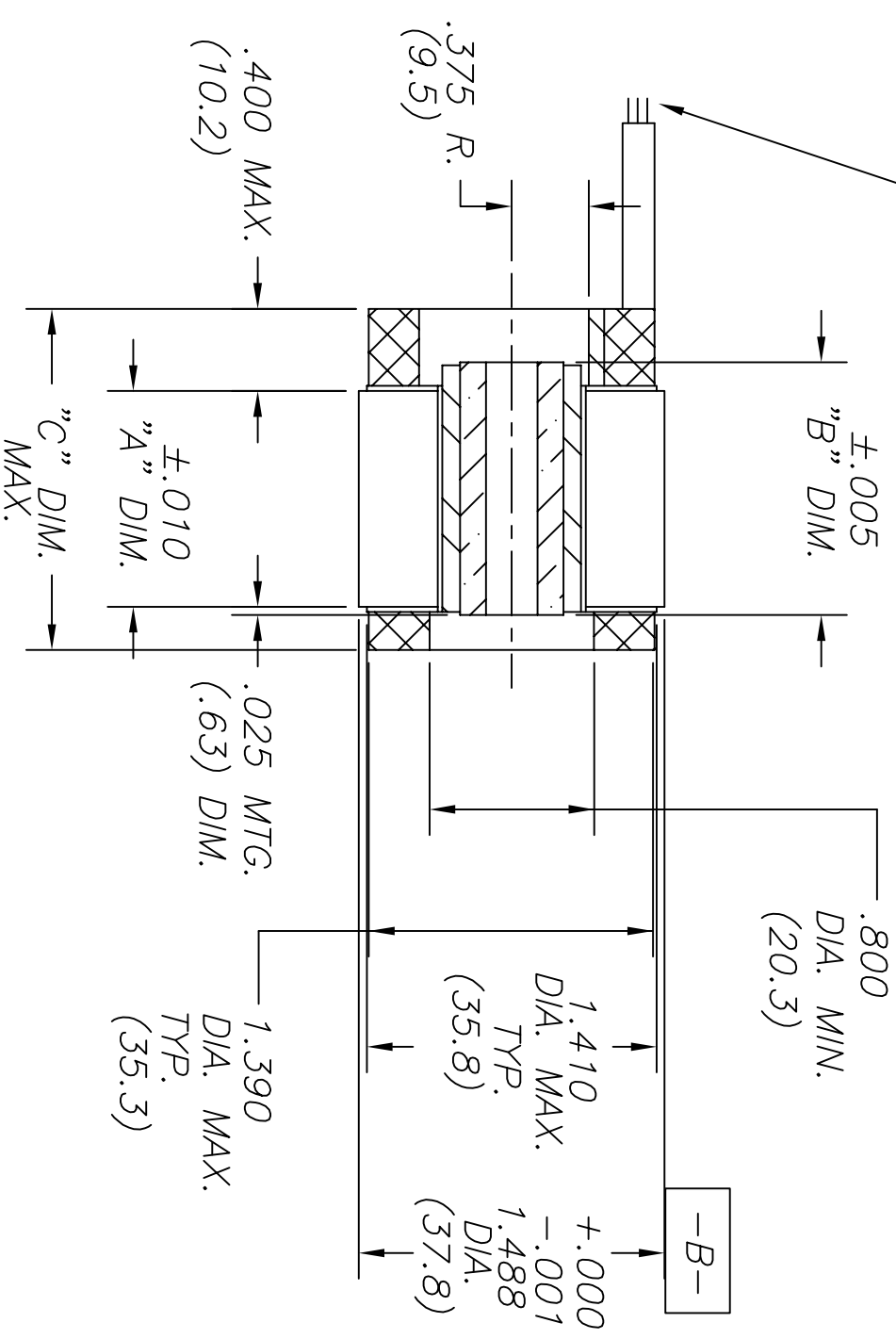
B

REVISION

ECN	LTR	DESCRIPTION	DATE	APPROVED
---	B	REVISE AND REDRAW	6/97	BWT

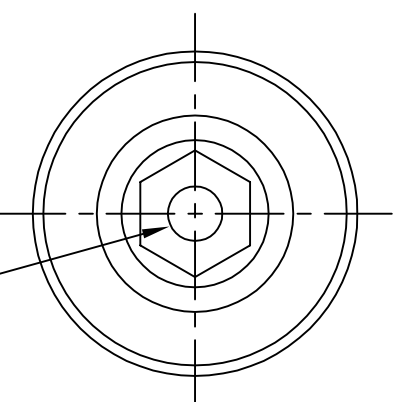
MODEL	"A" DIM.	"B" DIM.	"C" DIM.
HT01500	.250 (6.4)	.430 (10.9)	.860 (21.9)
HT01501	.650 (16.6)	.830 (21.1)	1.260 (32.0)
HT01502	1.050 (26.7)	1.230 (31.3)	1.660 (42.2)
HT01503	1.450 (36.9)	1.630 (41.4)	2.060 (52.4)
HT01504	1.850 (47.0)	2.030 (51.6)	2.460 (62.5)
HT01505	2.250 (57.2)	2.430 (61.8)	2.860 (72.6)

LEADWIRE - TEFLON COATED  
TYPE "E" PER MIL-W-16878/4  
12" MINIMUM LENGTH  
A) MOTOR: #24 AWG. RED(A),WHT(B),BLK(C)  
B) SENSOR: #28 AWG. BLU(+),BRN(A),ORG(B)  
YEL(C),GRN(GRD)




-A-

STANDARD DIA. .2510 ±.0005 (6.37)  
MAX. DIA. .375 (9.52)



1. MOTOR SUPPLIED AS TWO SEPARATE COMPONENTS, ROTOR ASSEMBLY AND STATOR ASSEMBLY.
2. DIAMETERS -A- AND -B- TO BE CONCENTRIC WITHIN .002 WHEN MOUNTED.
3. MOUNTING SURFACE BETWEEN 1.488 AND 1.410 DIAMETERS ON BOTH SIDES.

UNLESS OTHERWISE SPECIFIED DIMENSIONS ARE IN INCHES TOLERANCES ON		DRAFTSMAN:	DATE:	 TULSA, OK 74146-3638, USA
ANGLES ±0° 30'	3 PLACE DEC ±.005	CHECKER:	6/97	
DO NOT SCALE		ENGINEER:		
MATERIAL		CUSTOMER:		
FINISH				
DWG IDENTIFICATION NUMBER SIZE		CODE NUMBER	DRAWING NUMBER	
B		3HNO4	HT015 SERIES	
SCALE:			SHEET	1 OF 1