

DRAWING NUMBER

HT010 SERIES

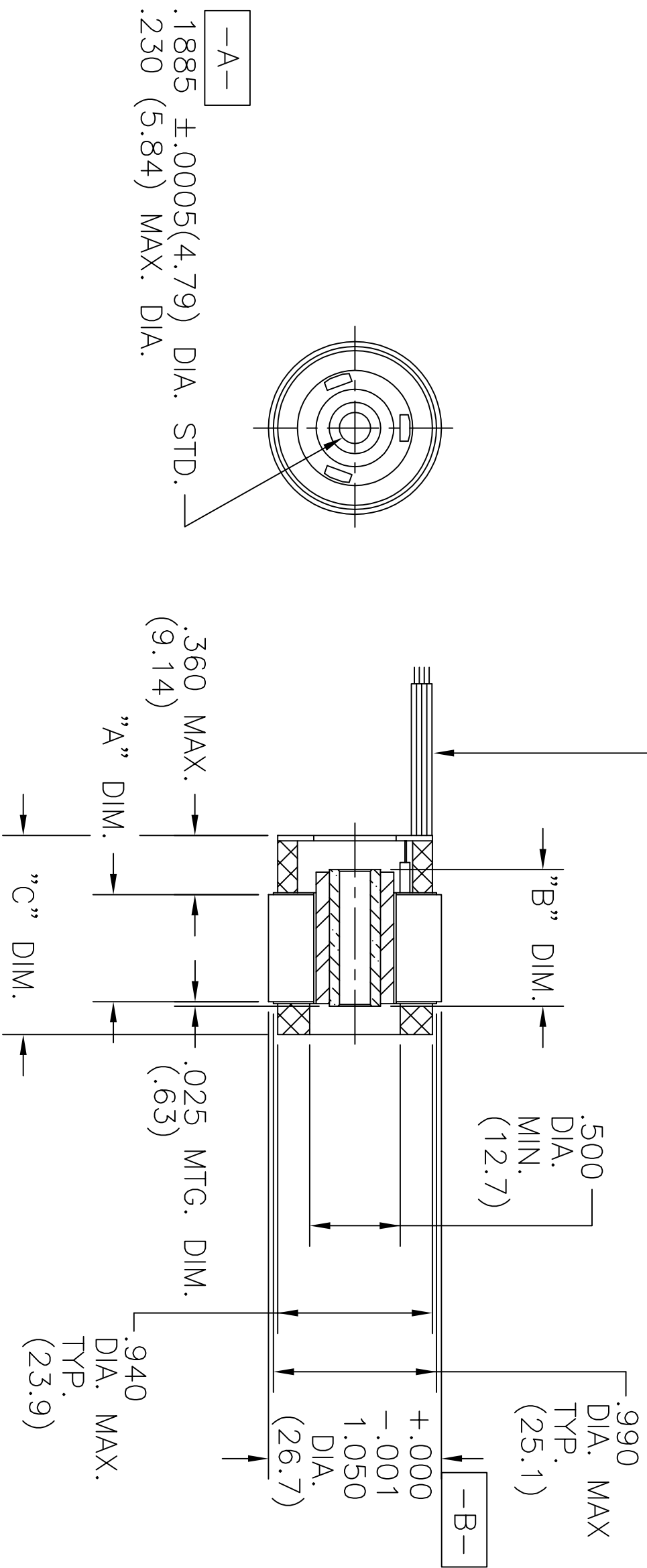
REV: --

REVISION

ECN	LTR	DESCRIPTION	DATE	APPROVED
---	B	REVISE AND REDRAW	6/97	BWT

MODEL	"A" DIM.	"B" DIM.	"C" DIM.
HT01000	.250(6.4)	.430(10.9)	.810(20.6)
HT01001	.650(16.6)	.830(21.1)	1.210(30.7)
HT01002	1.050(26.7)	1.230(31.3)	1.610(40.9)
HT01003	1.450(36.8)	1.630(41.4)	2.010(51.0)

LEADWIRE - TEFLON COATED
TYPE "E" PER MIL-W-16878/4
12" MINIMUM LENGTH
A) MOTOR: # 26 AWG. RED(A),WHT(B),BLK(C).
B) SENSOR: #28 AWG. BLU(+),BRN(A),ORG(B),
YEL(C),GRN(GRD)



- MOTOR SUPPLIED AS TWO SEPARATE COMPONENTS, ROTOR ASSEMBLY AND STATOR ASSEMBLY.
- DIAMETERS "A" AND "B" TO BE CONCENTRIC WITHIN .002 WHEN MOUNTED.
- MOUNTING SURFACE BETWEEN 1.050 AND .990 DIAMETERS ON BOTH SIDES.

UNLESS OTHERWISE SPECIFIED
DIMENSIONS ARE IN INCHES
TOLERANCES ON

ANGLES 3 PLACE DEC # .005 2 PLACE
#0° 30' DEC # .005 DEC # .01

MATERIAL DO NOT SCALE

FINISH

DRAFTSMAN:

BWT

DATE:

6/97

CHECKER:

ENGINEER:

TITLE:

OUTLINE DRAWING
FRAMELESS MOTOR

TULSA, OK 741146--3638, USA

Allied Motion

DWG CODE IDENTIFICATION NUMBER

B 3HNO4

DRAWING NUMBER

HT010 SERIES

SCALE:

SHEET

1 OF 1