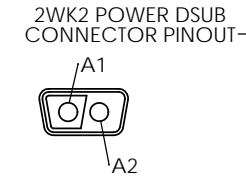
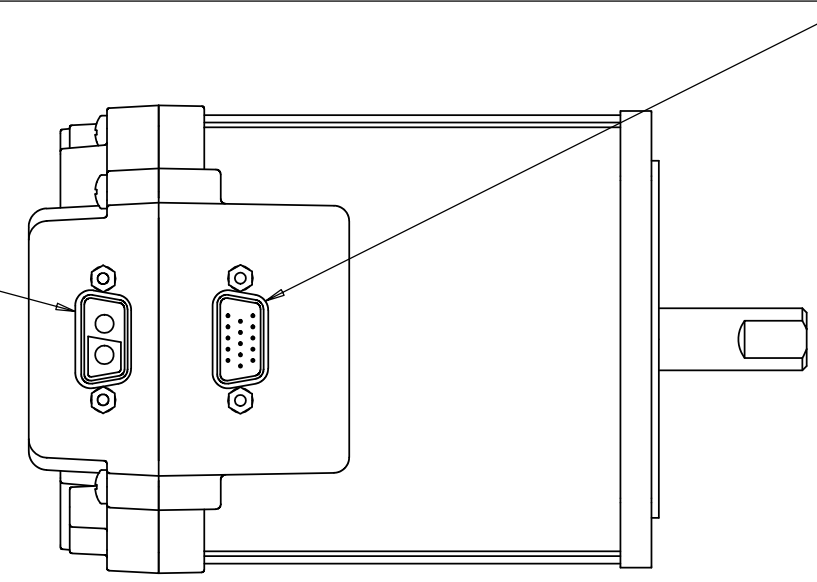


DWG. NO.
78009003
CUSTOMER NAME
STANDARD MOTOR
ALLIED MOTION MODEL NO.
SEE CHART BELOW

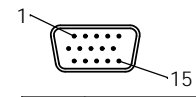
REVISIONS
A - REVISED ALL ALLIED MOTION MODEL NOS. #19073 D.W. 10-2-13
B - ENCLOSED SCREW HOLES #19182 DMH 01-27-14



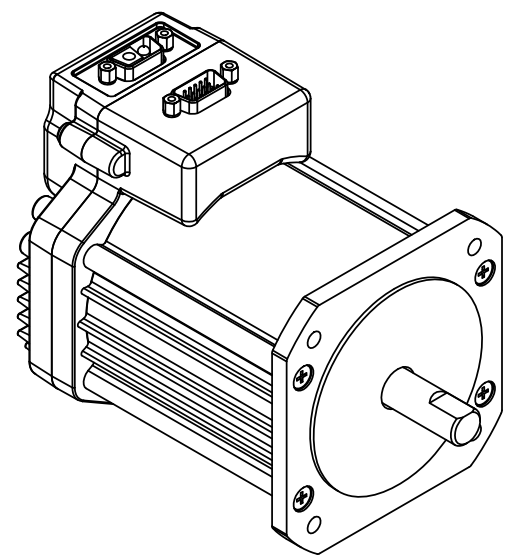
PIN	FUNCTION
A1	- POWER
A2	+ POWER
Mate: Konmek PS400N-2WK2FTB0	
Sealed Mate: Konmek PS400N-2WK2FTB0/HW1-1	



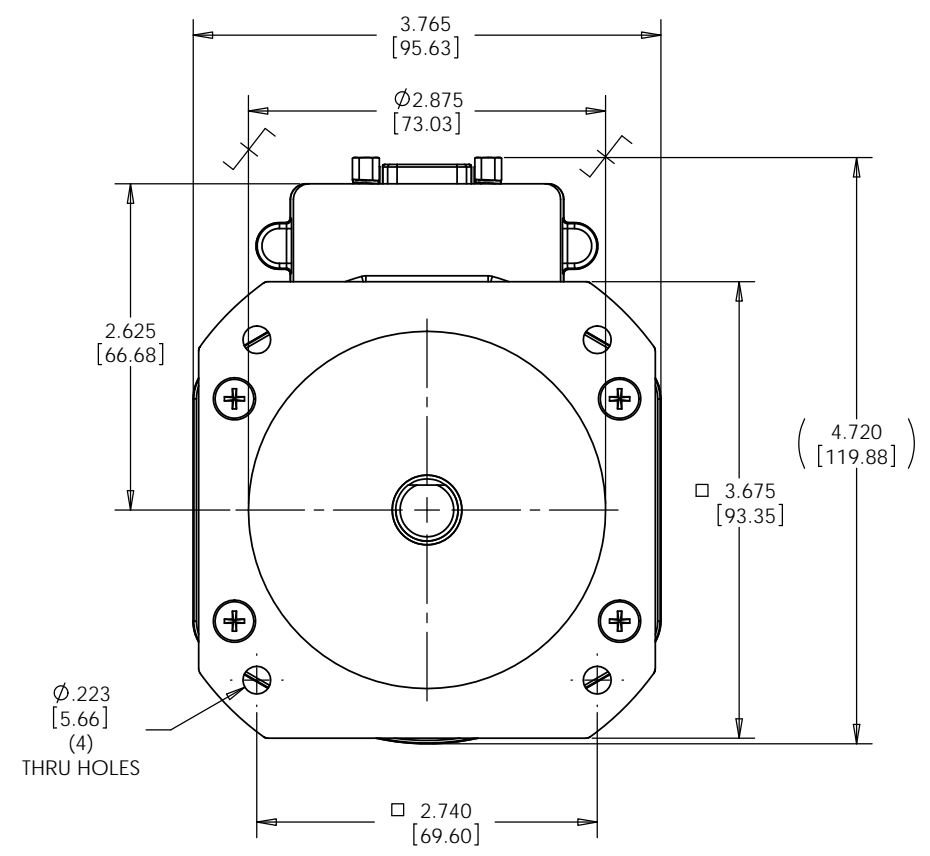
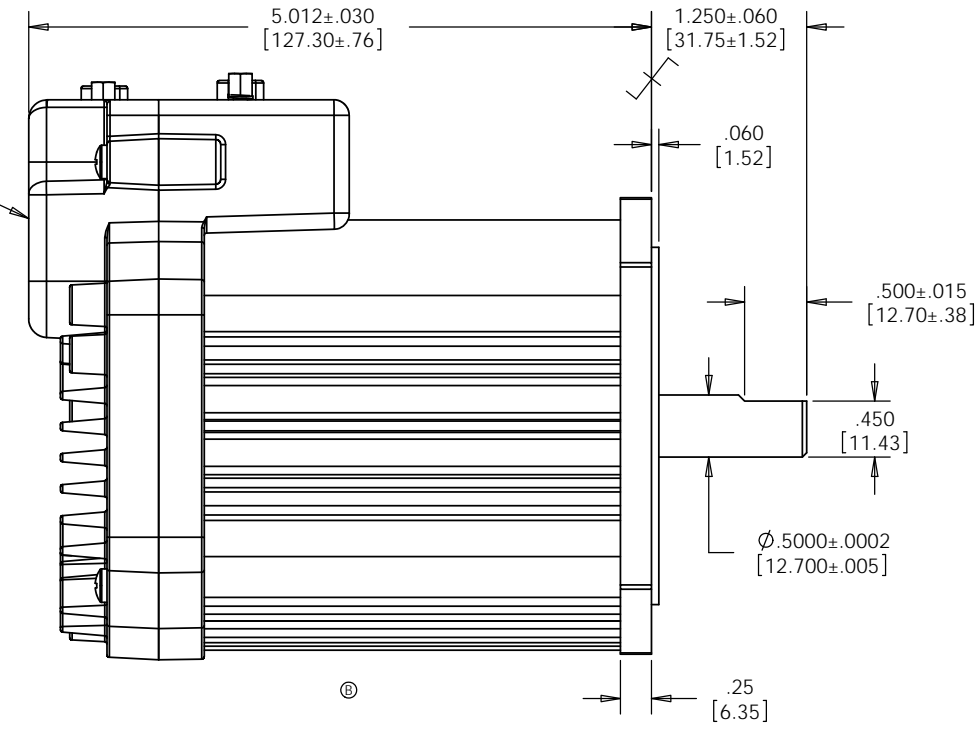
HD15 D-SUB I/O CONNECTOR PINOUT



PIN	FUNCTION
1	DIGITAL INPUT 1
2	DIGITAL INPUT 2
3	DIGITAL INPUT 3
4	DIGITAL INPUT 4
5	ANALOG INPUT 1 (+)
6	DIGITAL INPUT 5
7	DIGITAL INPUT 6
8	RS232 Rx/RS485 (-)
9	DIGITAL OUTPUT 1
10	ANALOG INPUT 1 (-)
11	DIGITAL OUTPUT 2
12	DIGITAL OUTPUT 3
13	RS232 Tx/RS485 (+)
14	RS232 COMMON
15	ANALOG OUTPUT
Mate: Konmek HS0-15FTB0	
Sealed Mate: Konmek HS0-15FTB0 w/ HW1-1 shroud	



LABEL TO BE CENTERED VERTICALLY & HORIZONTALLY ON FLAT SURFACE OF COVER



SPEED COMMAND	SHAFT ROTATION
+	CWLE
0	STOP
-	CCWLE

ENCLOSURE ----- TOTALLY CLOSED
ROTATION ----- REVERSIBLE (SEE ROTATION TABLE)
LEADS ----- SEE CONNECTOR PINOUT
END PLAY ----- CUSHIONED
GROUND TEST ----- 500 VAC 60 HZ. RMS FOR (1) SECOND
PERFORMANCE-----SEE SPECIFIC PERFORMANCE CURVE

ALLIED MOTION MODEL NUMBER	VOLTAGE	SPEED OPTION	SEALED
EMI-095Q9000	12	MED	
EMI-095R9003	24	LOW	
EMI-095G9003	48	LOW	
EMI-095R9004	24	HIGH	
EMI-095G9004	48	HIGH	
EMI-095Q9048	12	MED	X
EMI-095R9019	24	LOW	X
EMI-095G9019	48	LOW	X
EMI-095R9020	24	HIGH	X
EMI-095G9020	48	HIGH	X

REFER TO ALLIED MOTION OWOSSO SPEC P965001 FOR HAZARDOUS SUBSTANCE RESTRICTIONS

PROPRIETARY AND CONFIDENTIAL
THE INFORMATION CONTAINED IN THIS DRAWING IS THE SOLE PROPERTY OF ALLIED MOTION TECHNOLOGIES. ANY REPRODUCTION IN PART OR AS A WHOLE WITHOUT THE WRITTEN PERMISSION OF ALLIED MOTION TECHNOLOGIES IS PROHIBITED.

DWN: DMH 06-27-13
APP: D.W. 7-11-13
SCALE: 1:1
J.O.# 18967
TYPE: BF

Allied Motion
owosso

DO NOT SCALE DRAWING

DIMENSIONS ARE IN INCHES
TOLERANCES UNLESS SPECIFIED:
ANGULAR: ±1°
TWO PLACE DECIMAL: ±.01
THREE PLACE DECIMAL: ±.005

DESCRIPTION: **MOTOR OUTLINE**
DWG. NO.: **78009003** SHEET 1 OF 1

MATERIAL: SEE CHART
FINISH: -----