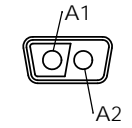


DWG. NO.  
**78009002**  
CUSTOMER NAME  
**STANDARD MOTOR**  
ALLIED MOTION MODEL NO.  
SEE CHART BELOW

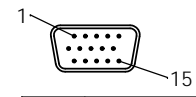
REVISIONS  
A - REVISED ALL ALLIED MOTION MODEL NOS. #19073 D.W. 10-2-13  
B - ENCLOSED SCREW HOLES #19182 DMH 01-27-14

2WK2 POWER DSUB CONNECTOR PINOUT



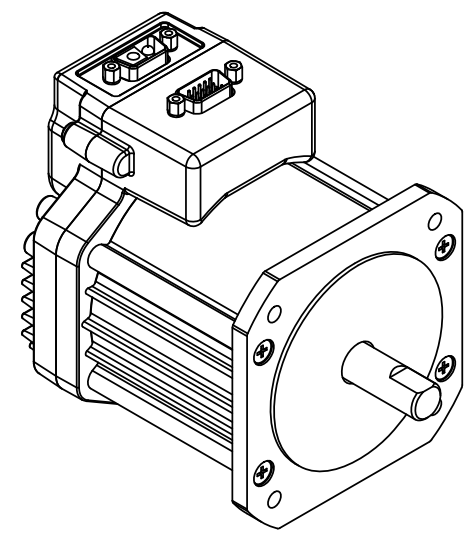
PIN	FUNCTION
A1	- POWER
A2	+ POWER
Mate: Konmek PS400N-2WK2FTB0	
Sealed Mate: Konmek PS400N-2WK2FTB0/HW1-1	

HD15 D-SUB I/O CONNECTOR PINOUT

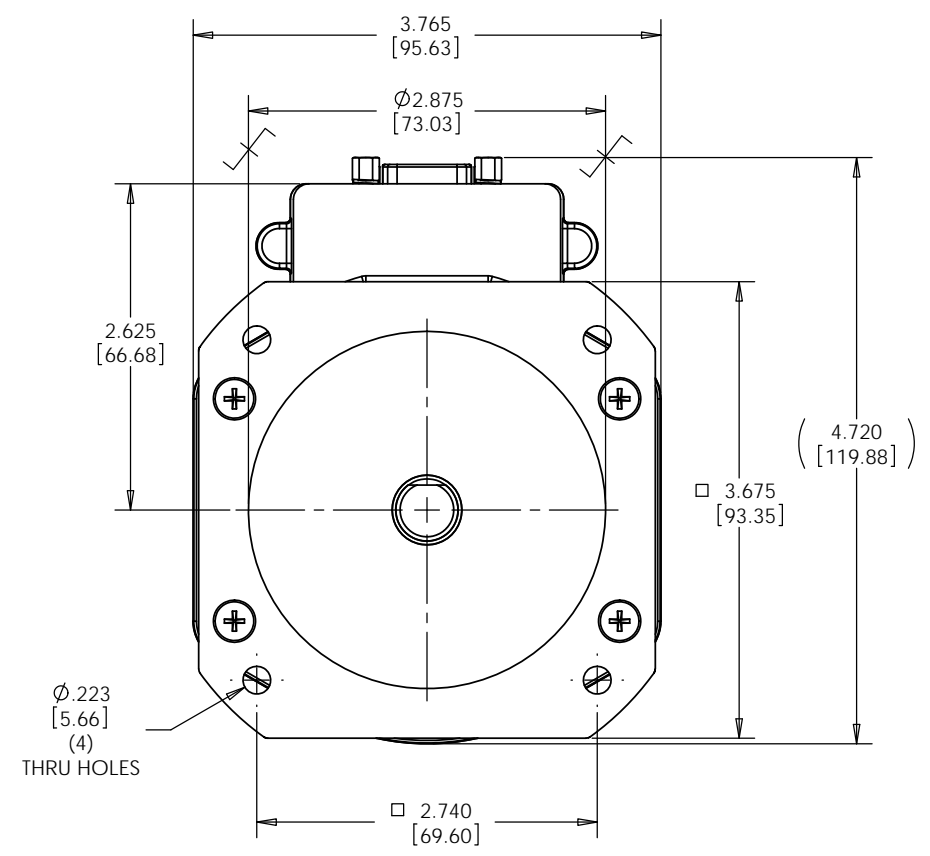
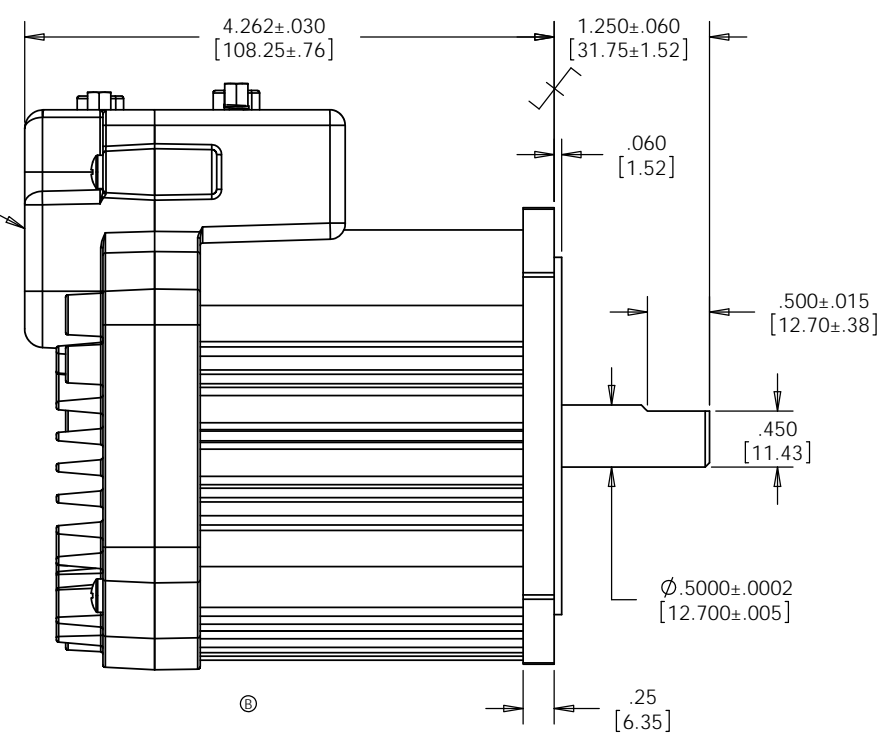


PIN	FUNCTION
1	DIGITAL INPUT 1
2	DIGITAL INPUT 2
3	DIGITAL INPUT 3
4	DIGITAL INPUT 4
5	ANALOG INPUT 1 (+)
6	DIGITAL INPUT 5
7	DIGITAL INPUT 6
8	RS232 Rx/RS485 (-)
9	DIGITAL OUTPUT 1
10	ANALOG INPUT 1 (-)
11	DIGITAL OUTPUT 2
12	DIGITAL OUTPUT 3
13	RS232 Tx/RS485 (+)
14	RS232 COMMON
15	ANALOG OUTPUT

Mate: Konmek HS0-15FTB0  
Sealed Mate: Konmek HS0-15FTB0 w/ HW1-1 shroud



LABEL TO BE CENTERED VERTICALLY & HORIZONTALLY ON FLAT SURFACE OF COVER



SPEED COMMAND	SHAFT ROTATION
+	CWLE
0	STOP
-	CCWLE

Ⓐ

ALLIED MOTION MODEL NUMBER	VOLTAGE	SPEED OPTION	SEALED
EMI-095Q6000	12	MED	
EMI-095R6003	24	LOW	
EMI-095G6003	48	LOW	
EMI-095R6004	24	HIGH	
EMI-095G6004	48	HIGH	
EMI-095Q6048	12	MED	X
EMI-095R6019	24	LOW	X
EMI-095G6019	48	LOW	X
EMI-095R6020	24	HIGH	X
EMI-095G6020	48	HIGH	X

ENCLOSURE ----- TOTALLY CLOSED  
ROTATION ----- REVERSIBLE (SEE ROTATION TABLE)  
LEADS ----- SEE CONNECTOR PINOUT  
END PLAY ----- CUSHIONED  
GROUND TEST ----- 500 VAC 60 HZ. RMS FOR (1) SECOND  
PERFORMANCE ----- SEE SPECIFIC PERFORMANCE CURVE

REFER TO ALLIED MOTION OWOSSO SPEC P965001 FOR HAZARDOUS SUBSTANCE RESTRICTIONS

PROPRIETARY AND CONFIDENTIAL  
THE INFORMATION CONTAINED IN THIS DRAWING IS THE SOLE PROPERTY OF ALLIED MOTION TECHNOLOGIES. ANY REPRODUCTION IN PART OR AS A WHOLE WITHOUT THE WRITTEN PERMISSION OF ALLIED MOTION TECHNOLOGIES IS PROHIBITED.

DWN: DMH 06-27-13  
APP: D.W. 7-11-13  
SCALE: 1:1  
J.O.# 18967  
TYPE: BF

**Allied Motion**  
owosso

DO NOT SCALE DRAWING

DIMENSIONS ARE IN INCHES  
TOLERANCES UNLESS SPECIFIED:  
ANGULAR: ±1°  
TWO PLACE DECIMAL: ±.01  
THREE PLACE DECIMAL: ±.005

DESCRIPTION: **MOTOR OUTLINE**  
DWG. NO.: **78009002** SHEET 1 OF 1

MATERIAL: SEE CHART  
FINISH: -----