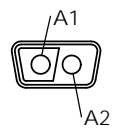


DWG. NO.
78001003
CUSTOMER NAME
STANDARD MOTOR
ALLIED MOTION MODEL NO.
SEE CHART BELOW

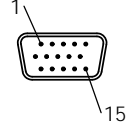
REVISIONS
A- (1) WAS ANALOG INPUT
(2) WAS 2.230
(3) ADD MB-EM-E8006O
(4) ADD MB-EM-E8052O
#18978 DMH 07-15-13
B- REVISED ALL ALLIED
MOTION MODEL NOS.
#19073 D.W. 10-2-13
C- ENCLOSED SCREW HOLES
#19161 DMH 04-14-14

2WK2 POWER DSUB
CONNECTOR PINOUT



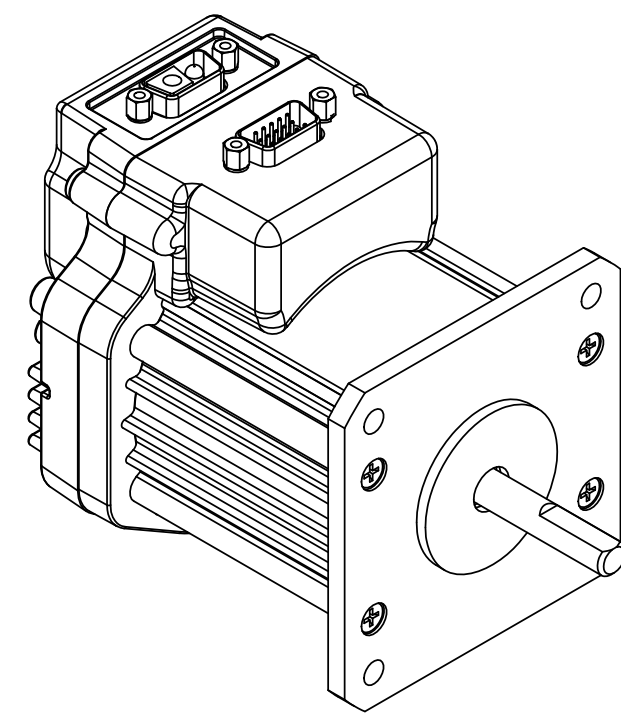
PIN	FUNCTION
A1	- POWER
A2	+ POWER
Mate: Konmek PS400N-2WK2FTB0	
Sealed Mate: Konmek PS400N-2WK2FTB0/HW1-1	

HD15 D-SUB I/O CONNECTOR PINOUT

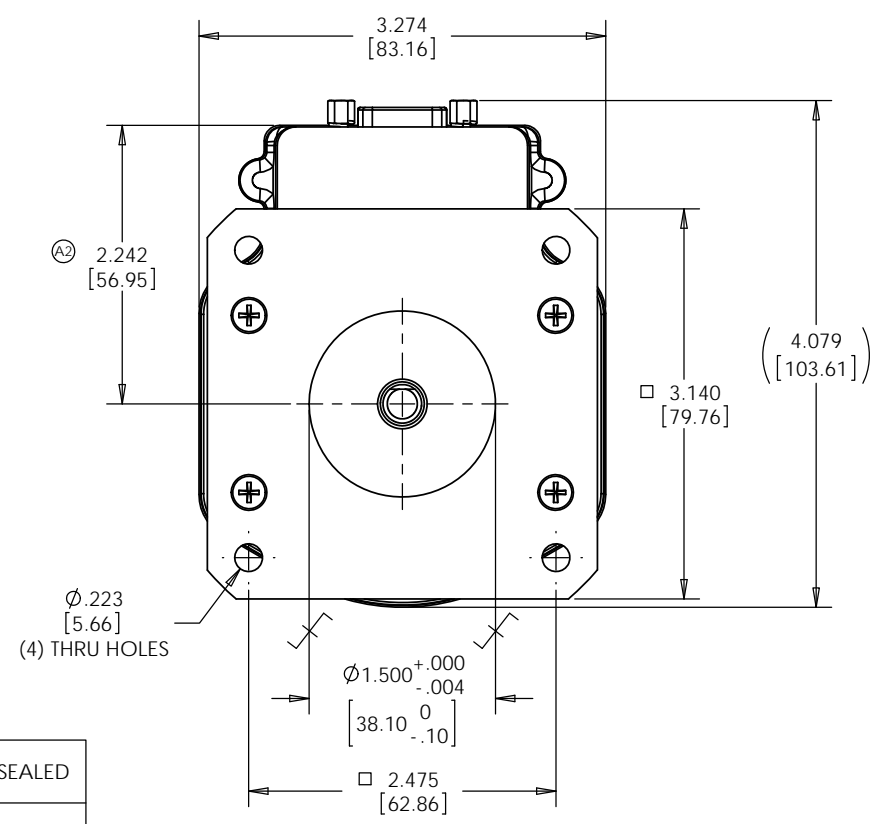
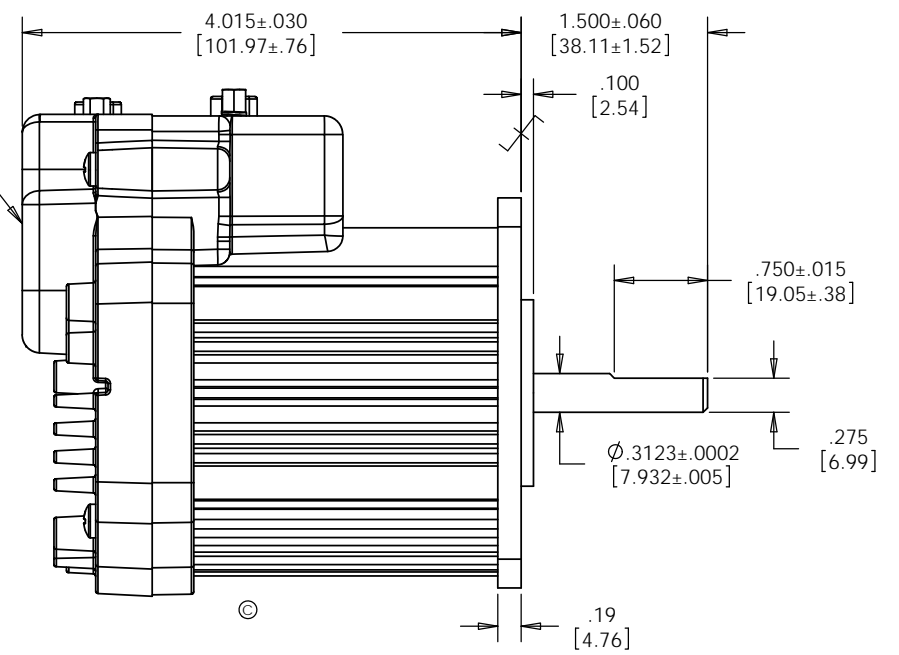


PIN	FUNCTION
1	DIGITAL INPUT 1
2	DIGITAL INPUT 2
3	DIGITAL INPUT 3
4	DIGITAL INPUT 4
5	ANALOG INPUT 1 (+)
6	DIGITAL INPUT 5
7	DIGITAL INPUT 6
8	RS232 Rx/RS485 (-)
9	DIGITAL OUTPUT 1
10	ANALOG INPUT 1 (-)
11	DIGITAL OUTPUT 2
12	DIGITAL OUTPUT 3
13	RS232 Tx/RS485 (+)
14	RS232 COMMON
15	ANALOG OUTPUT

Mate: Konmek HS0-15FTB0
Sealed Mate: Konmek HS0-15FTB0 w/ HW1-1 shroud



LABEL TO BE CENTERED VERTICALLY &
HORIZONTALLY ON FLAT SURFACE OF COVER



ROTATION TABLE	
SPEED COMMAND	SHAFT ROTATION
+	CWLE
0	STOP
-	CCWLE

ENCLOSURE ----- TOTALLY CLOSED
ROTATION ----- REVERSIBLE (SEE ROTATION TABLE)
LEADS ----- SEE CONNECTOR PINOUT
END PLAY ----- CUSHIONED
GROUND TEST ----- 500 VAC 60 HZ. RMS FOR (1) SECOND
PERFORMANCE-----SEE SPECIFIC PERFORMANCE CURVE

ALLIED MOTION MODEL NUMBER	VOLTAGE	SPEED OPTION	SEALED
EMI-075Q8006	12	MED	
EMI-075R8007	24	LOW	
EMI-075G8007	48	LOW	
EMI-075R8008	24	HIGH	
EMI-075G8008	48	HIGH	
EMI-075Q8052	12	MED	X
EMI-075R8023	24	LOW	X
EMI-075G8023	48	LOW	X
EMI-075R8024	24	HIGH	X
EMI-075G8024	48	HIGH	X

REFER TO ALLIED MOTION OWOSSO SPEC P965001 FOR HAZARDOUS SUBSTANCE RESTRICTIONS

PROPRIETARY AND CONFIDENTIAL
THE INFORMATION CONTAINED IN THIS DRAWING IS THE SOLE PROPERTY OF ALLIED MOTION TECHNOLOGIES. ANY REPRODUCTION IN PART OR AS A WHOLE WITHOUT THE WRITTEN PERMISSION OF ALLIED MOTION TECHNOLOGIES IS PROHIBITED.

DWN: DMH 05-08-13
APP: D.W. 6-11-13
SCALE: 1:1
J.O.# 18940
TYPE: BE I-DRIVE

Allied Motion
owosso

DO NOT SCALE DRAWING

DIMENSIONS ARE IN INCHES
TOLERANCES UNLESS SPECIFIED:
ANGULAR: ±1°
TWO PLACE DECIMAL: ±.01
THREE PLACE DECIMAL: ±.005

DESCRIPTION: **MOTOR OUTLINE**
DWG. NO.: **78001003** SHEET 1 OF 1

MATERIAL: SEE CHART
FINISH: -----