

Endurance 40 Series Permanent-Magnet DC Brush Motors

4-inch Diameter, 1/2 HP, Fixed Brushes

Allied Motion's Endurance 40 series of 4-inch (102mm) diameter PMDC motors are a cost-effective solution for a wide range of commercial applications such as handicap lifts, mobility vehicles, pumps, and gear motors.

Standard winding voltage rating is 12 V, and 24 V and 48 V models are available upon request. Rated power output for the Endurance 40 ranges from 1/4 up to 1/2 HP. Rated speed ranges from 1300 up to 4800 RPM.

Endurance 40 DC motors are especially suited for battery-powered application in medical, commercial and industrial mobile equipment. They offer excellent performance, long service life, and high reliability. Custom design versions are available to exactly match application requirements.

Options

- Custom shaft and mounting configurations to match application requirements
- Stainless steel shaft
- Larger 0.669-inch (17 mm) shaft
- High temperature Class H (180 °C) winding insulation
- EMI/RFI suppression
- IP56 sealing (wash-down version)
- E-coated housing for corrosion protection
- Chrome or zinc plated housing
- Vented housing
- High strength steel thru bolts



- 1/4 to 1/2 HP, 4-inch diameter PMDC brush motor
- 12 VDC winding voltage with up to 48 VDC available
- Rated torque up to 240 oz-in (1.69 Nm) and rated speed up to 4800 RPM
- Heavy-duty, long-life maintenance-free brushes

Features & Benefits

- Gloss-black, fully-dipped 4" (102 mm) diameter steel tube field housing
- Rugged zinc die-cast end frames
- Rated power up to 1/2 HP (0.5 kW)
- Rated speed up to 4800 RPM
- Sealed ball bearings
- IP54 protection level
- Optimized brush life
- Class B (130 °C) winding insulation
- High strength ceramic magnets
- 1/2" (12.7 mm) cold-rolled steel shaft

SPECIFICATIONS

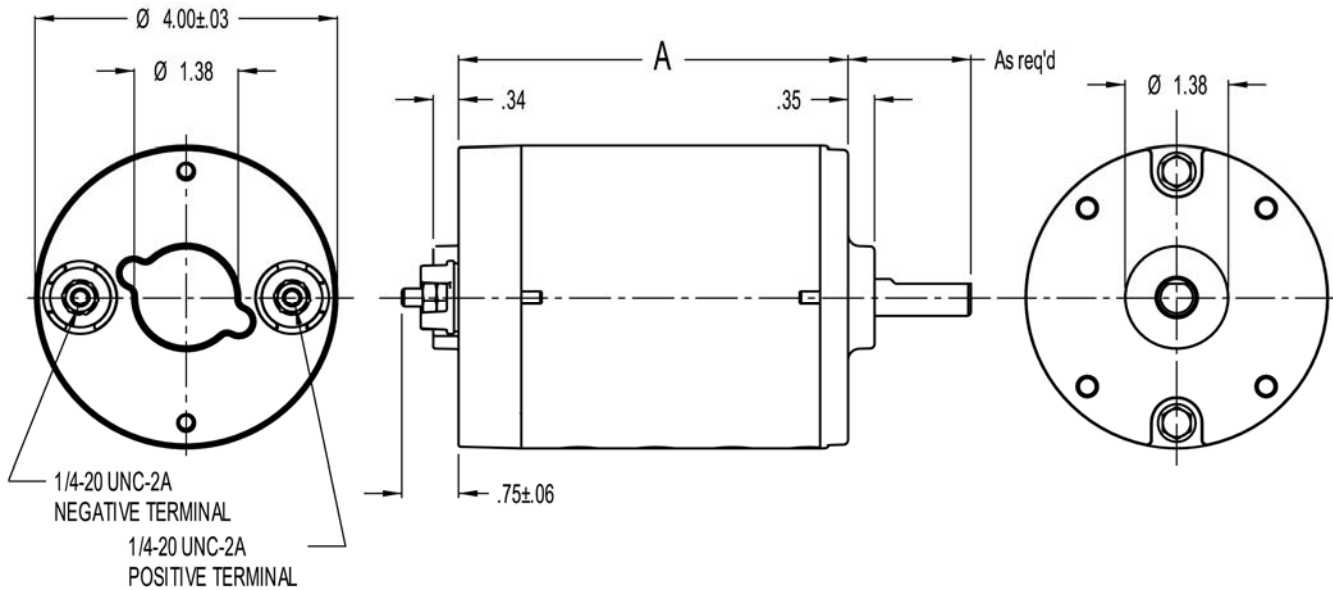
Model	Weight lb (kg)	Winding Voltage VDC	Rated Torque oz-in (Nm)	Rated Speed RPM	No-load Speed RPM	Current			Rated Power HP (W)
						Pk A	Rated A	NL A	
ENA-040Q6000	9 (4.1)	12	80 (0.56)	4800	5300	50	25	10	0.25 (187)
ENA-040Q8000	12 (5.5)	12	160 (1.13)	2550	3000	60	30	10	0.33 (246)
ENA-040QP000	15 (6.8)	12	192 (1.36)	1500	1900	60	40	10	0.40 (298)
ENA-040QR000	18 (8.2)	12	240 (1.69)	1300	1700	60	40	10	0.50 (373)

Values above are nominal for a 12 volt DC motor. Contact Allied Motion for specific performance.

PMDC Motors

Endurance 40 Series Permanent-Magnet DC Brush Motors

DIMENSIONS



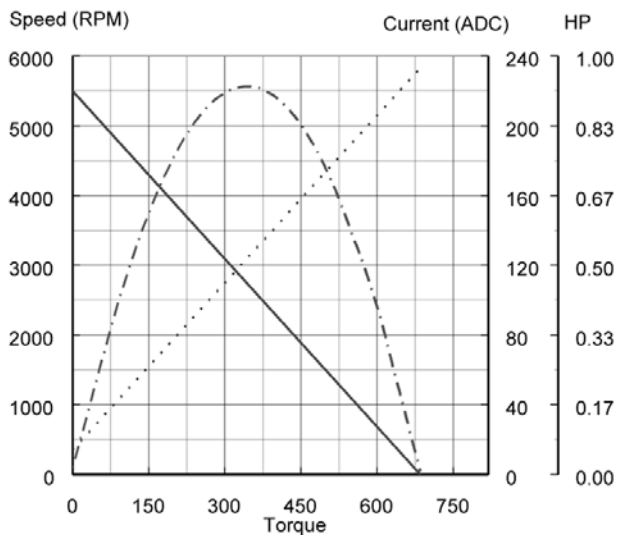
Dimensions in inches

MODEL	ENA-040Q6000	ENA-040Q8000	ENA-040QP000	ENA-040QR000
Length A in (mm)	4.65 (118.2)	5.15 (130.9)	5.65 (143.6)	6.15 (156.3)

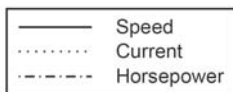
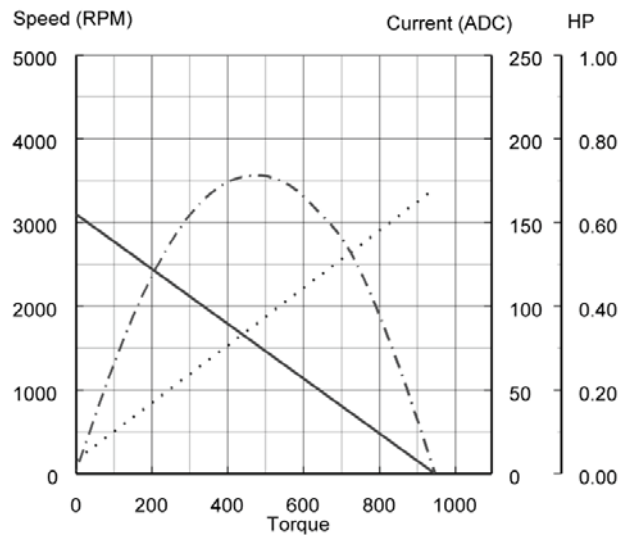


PERFORMANCE

ENA-040Q6000



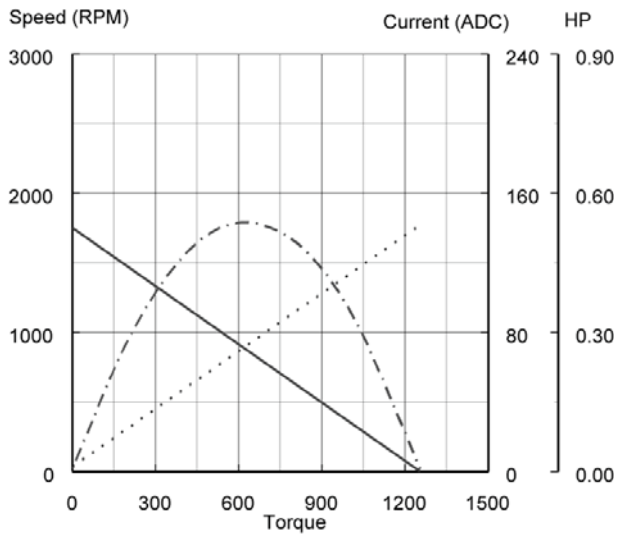
ENA-040Q8000



Endurance 40 Series Permanent-Magnet DC Brush Motors

PERFORMANCE

ENA-040QP000



ENA-040QR000

