

# Parallel-Shaft PMDC Brush Gear Motors

## PLA 25 Series

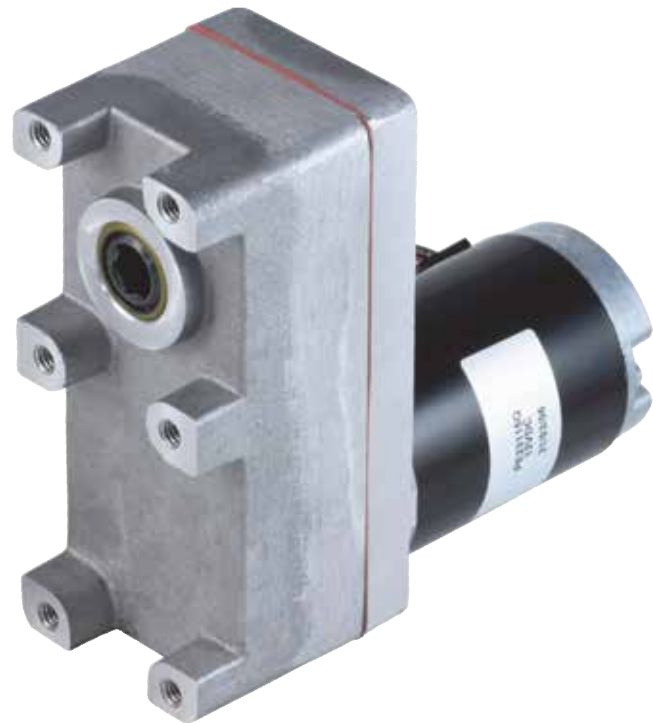
### 1/30 HP, Multi-Reduction Spur/Helical, Hollow Thru Shaft

Allied Motion's PLA series PMDC brush gear motors are designed for battery-powered lifting and sliding applications as in RV slide-outs and bed lifts. These low profile, compact gear motors are available standard with a hollow hex shaft and are wound for 12 VDC. They can also be supplied with up to a 115 VDC winding. Output rated power is 1/30 HP (27 W) continuous.

In addition to lifting and slide-out applications, the PLA series is a good choice for industrial or commercial applications requiring a thru-shaft drive and high output torque at moderate shaft speed. This motor is an ideal fit, for example, for door actuators, conveyor drives and industrial actuation applications.

#### Options

- Brushless DC motor with integral drive electronics in place of DC brush motor
- High temperature Class H (180 °C) winding insulation
- Weather-proof (IP65) protection rating
- Electric holding brake
- Custom lead-length and connector arrangements
- Shaft extension and mounting provisions for an encoder
- Right- or left-hand output shaft extension
- Up to a 3/4" diameter output shaft



#### Features & Benefits

- 1/30 HP continuous parallel shaft gear motor for battery-powered applications
- Ideal for lift/slide actuators in RV, mobile home, and vehicle actuator applications
- Hollow hex drive thru shaft
- Multi-stage gearbox configuration for high torque, medium-speed applications
- Alloy steel gearing handles heavy loads
- Cast aluminum gearbox maximizes rigidity and strength
- Class A (105 °C) winding insulation
- Internal brush design for maintenance free operation
- Hex-drive hollow thru shaft enables direct shaft drive configuration
- Long-life synthetic grease lubrication
- Ball and needle bearing construction
- Compact design fits restricted spaces
- IP54 protection rating


#### QuickShip Products

Some of the part number configurations for this product are in stock and available for ***immediate delivery!***

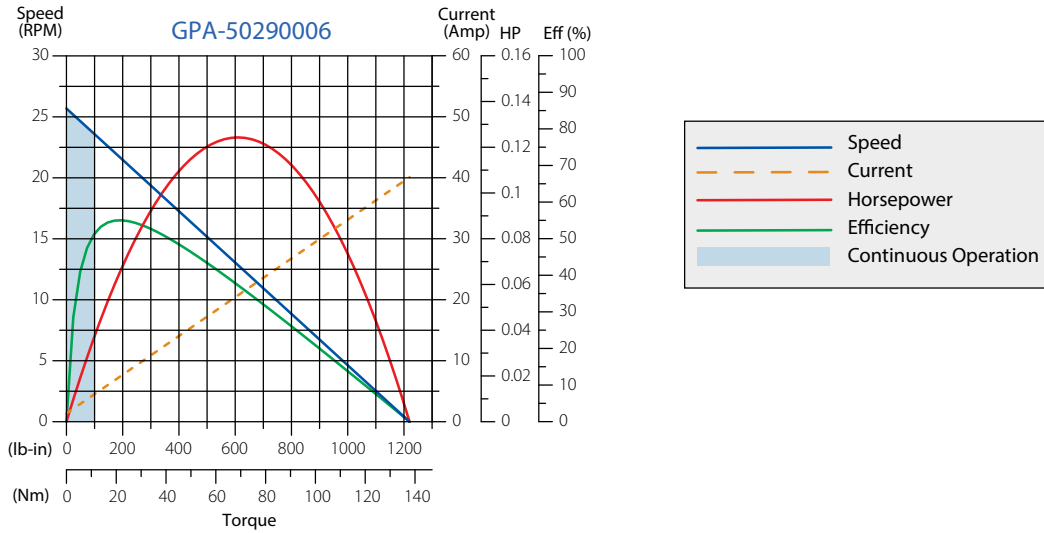
Look for the QuickShip symbol next to available part numbers. Then, click on the part number to go directly to our online store.



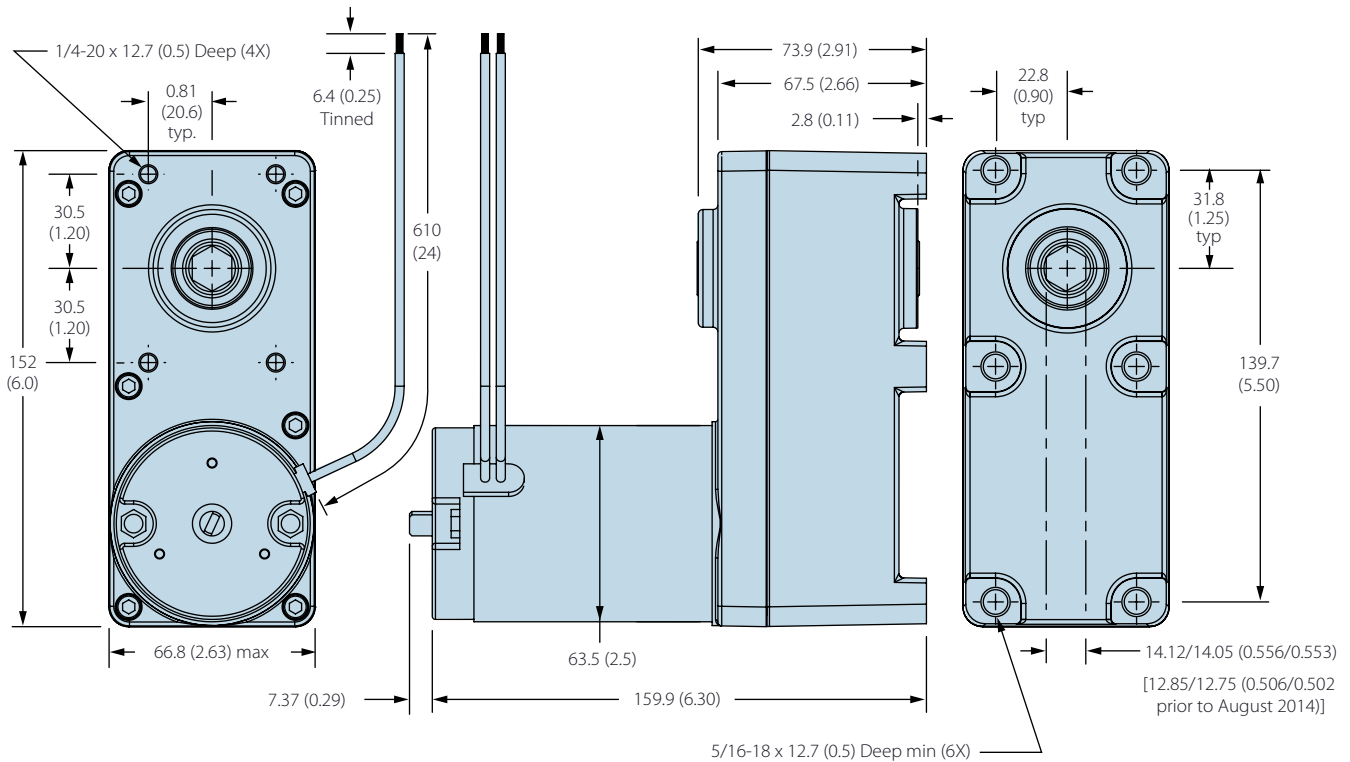
## PLA 25 Series Gear Motors – Specifications

Model	 <a href="#">GPA-50290006</a>	
Type	Parallel-shaft	
Motor Type	Permanent-magnet, 2-pole DC brush	
Frame Size	63.5 mm (2.5 in)	
Winding Voltage	12 VDC	
Torque	Rated	11.3 Nm (100 lb.in)
	Peak	84.2 Nm (745.2 lb.in)
Rated Speed	23 rpm	
No-load Speed ( $\pm 10\%$ )	23 - 26 rpm	
Rated Power	27 W (0.036 HP)	
Current — ADC	Rated	6
	Peak	25
	No-load	3
Gear Ratio	208:1	
Peak Efficiency	55%	
Rotation (shaft view)	CCW (positive voltage to positive motor terminal)	
Bearing Type	Needle roller bearing	
Backlash (no load)	36.5 - 109.6 arcmin	
Weight	2.2 kg (4.8 lb)	
Ambient Operating Temperature at Rated Duty	22 °C max	
Ambient Storage Temperature	-30 to 80 °C	
IP Rating	IP 54	

## PLA 25 Series Gear Motors – Performance



## PLA 25 Series Gear Motors Dimensions — mm (in)



## Custom & Specific-Purpose Products & Sub-Assemblies

Allied Motion offers a very wide selection of standard motion control solutions to satisfy the requirements found in the commercial, industrial and aerospace and defense markets. And, we are adding new products every year to meet new demands we find in those markets.

However, a recognized strength of Allied Motion is our willingness and ability to develop custom motion control products and systems to meet the specific needs of customers. Please contact us to discuss your specialized application requirements.

## Allied Motion Solution Centers

Allied Motion maintains Solution Centers in three geographically strategic locations to assist our customers with all aspects of their product selection and buying decisions. These facilities assure local support no matter your location around the globe.

Each Solution Center's experienced application engineering and customer service team provide:

- Application analysis assistance
- Detailed product information and documentation
- Standard product selection
- Product customization and options guidance
- Specification development assistance for custom-design products
- Price quotations
- Ordering, order status and shipment information
- Logistics assistance

For assistance with your project, contact us at one of our continental Allied Motion Solution Centers listed below.

Allied Motion also has a global network of factory trained selling partners to serve you. Visit our website for contact information for the Allied Motion Sales Partner nearest you.



## High-Performance Specialty Motors & Application-Specific Motion Systems

Aerospace & Defense  
Automation  
Commercial-Consumer  
Industrial  
Medical  
Pumps  
Robotics  
Vehicles

[www.alliedmotion.com](http://www.alliedmotion.com)

## North America

United States, Canada, Mexico:

### Allied Motion Technologies NASC

495 Commerce Drive, Ste 3  
Amherst, NY 14228 USA

+1 (716) 242-7535

[inquiry@alliedmotion.com](mailto:inquiry@alliedmotion.com)

## Europe

UK, Ireland, continental Europe,  
Eastern Europe, Scandinavia, Israel:

### Allied Motion Technologies EUSC

Ekbacksvägen 26, PO Box 11198  
S-161 11 Bromma, Sweden

+46 (8) 546 111 00

[inquiry@alliedmotion.com](mailto:inquiry@alliedmotion.com)

## Asia

China, Taiwan, Japan, S. Korea, and  
other Far East Countries:

### Allied Motion Technologies ASC

58 Leshan Road  
Xinbei District, Changzhou 213022  
China

+852 2607 4038 +86 519 85113625

[inquiry@alliedmotion.com](mailto:inquiry@alliedmotion.com)